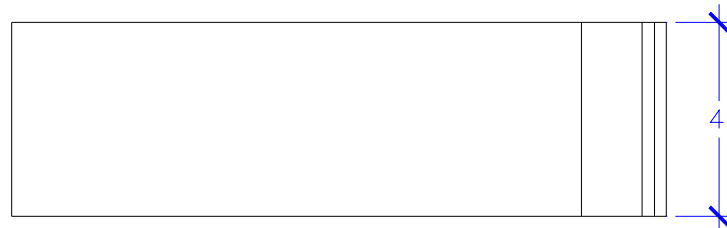
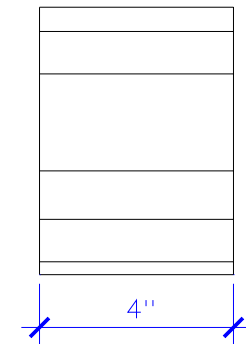
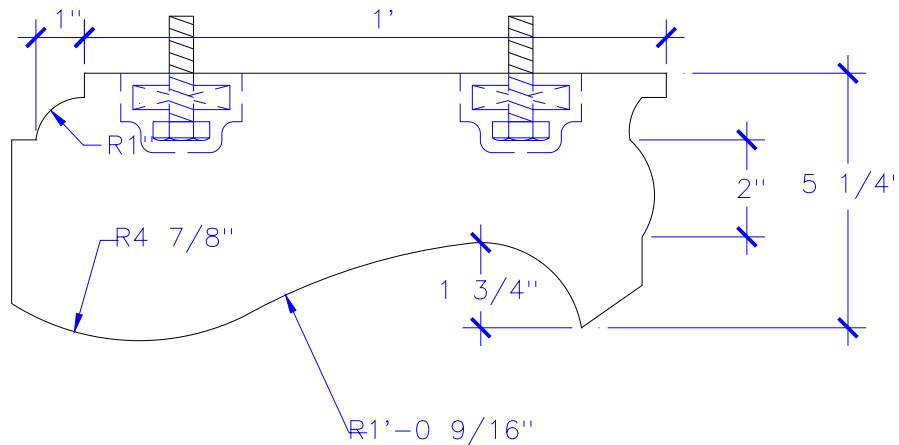
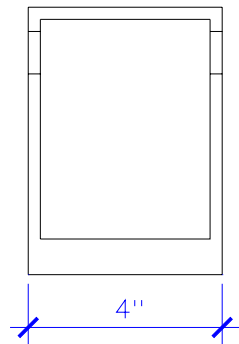



OPEN TOP
OPEN BACK



PROJECT/LOCATION:	TITLE: LARGE CORNICE CORBEL		DWG. APP'VD:	ITEM TAG: C1-E
CLIENT:	DATE/BY:	TOTAL FT:	MOLD:	QTY. REQ'D:
CUSTOMER APPROVAL:	SCALE: 3" = 1'	TOTAL WT:	CAST:	MATERIAL: GFRP
 Stromberg Architectural Products 4400 Oneal St, Greenville, TX 75404 (903) 454-8682 FAX (903) 454-3642	REF: 2/A3.2	LAST REV:	WEIGHT:	COLOR: NATURAL
	FILE #: CFSB.8.1.F.1.R1		SHIPPED:	TEXTURE: SMOOTH