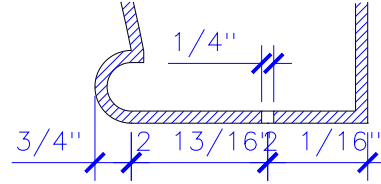
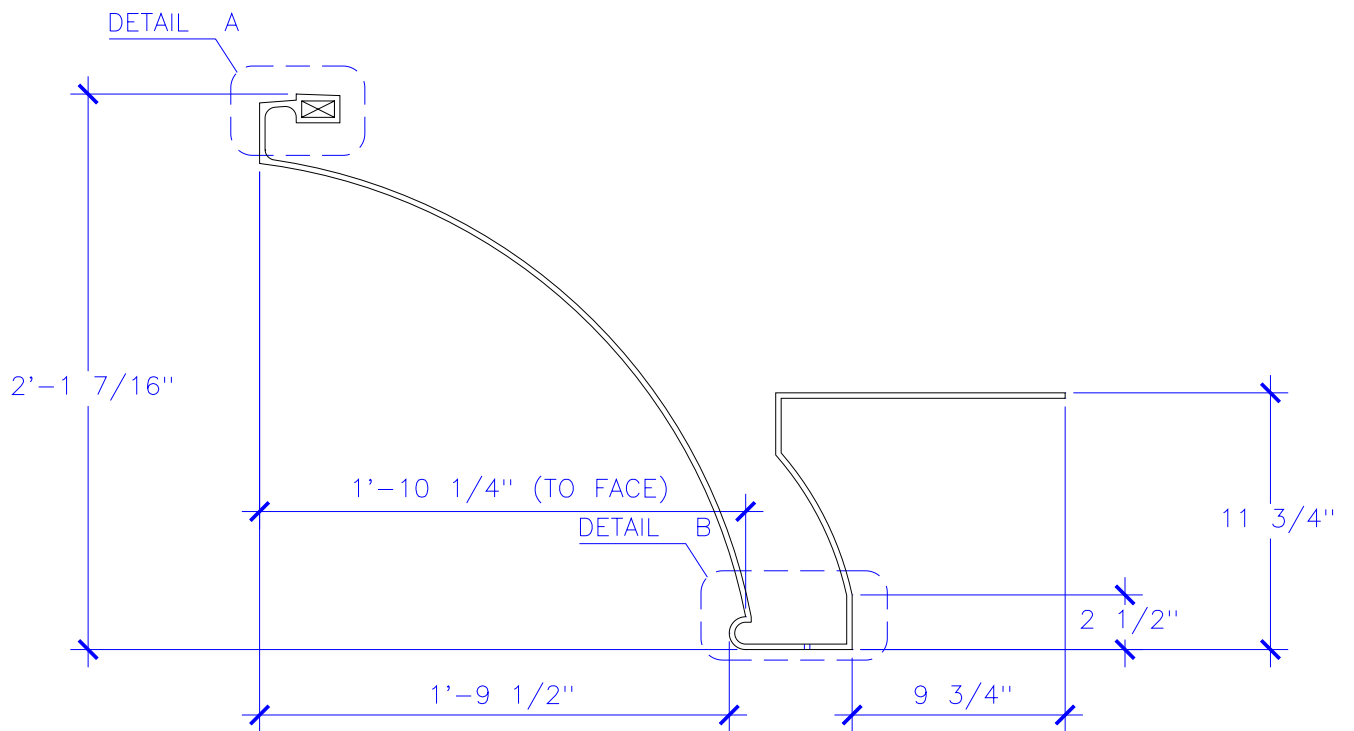


DETAIL A
SCALE 3" = 1'



DETAIL B
SCALE 3" = 1'



Stromberg Architectural Products

4400 Oneal St, Greenville, TX 75404

(903) 454-8682 FAX (903) 454-3642

PROJECT:

TITLE:

CORNICE C2, C3 & C4 FASCIA PROFILE

DATE/BY:

SCALE:

$1 \frac{1}{2}'' = 1'$

FILE #:

CFSC.10-11.- X.1.R2