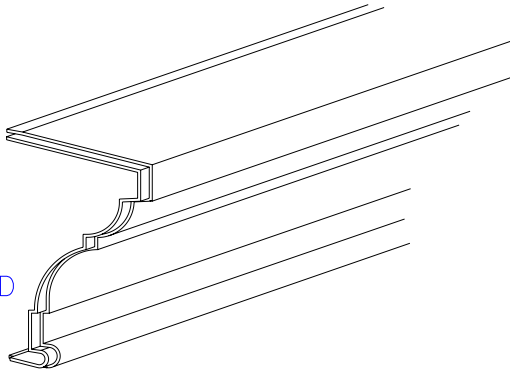
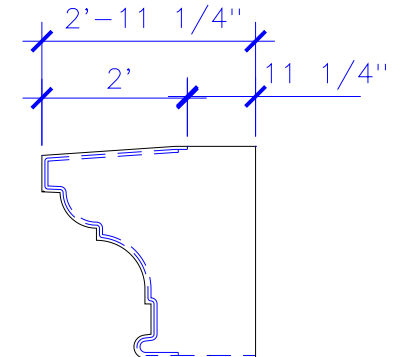
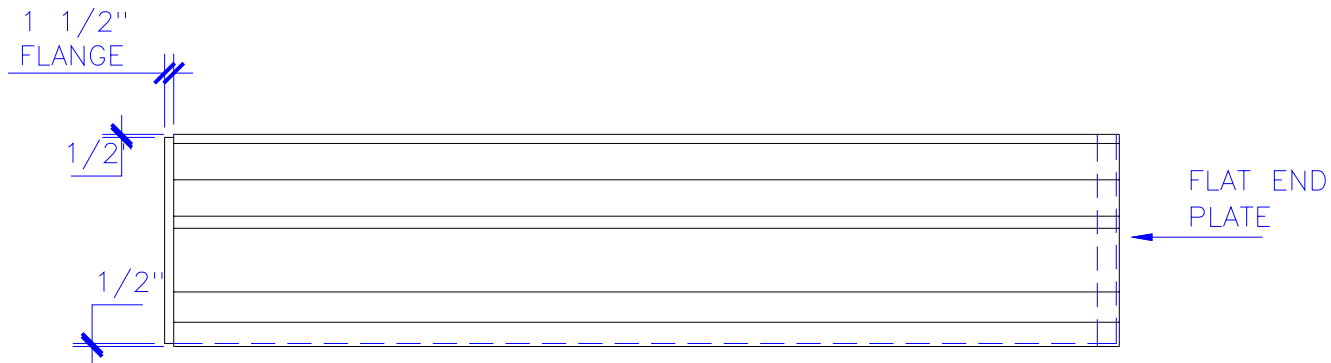
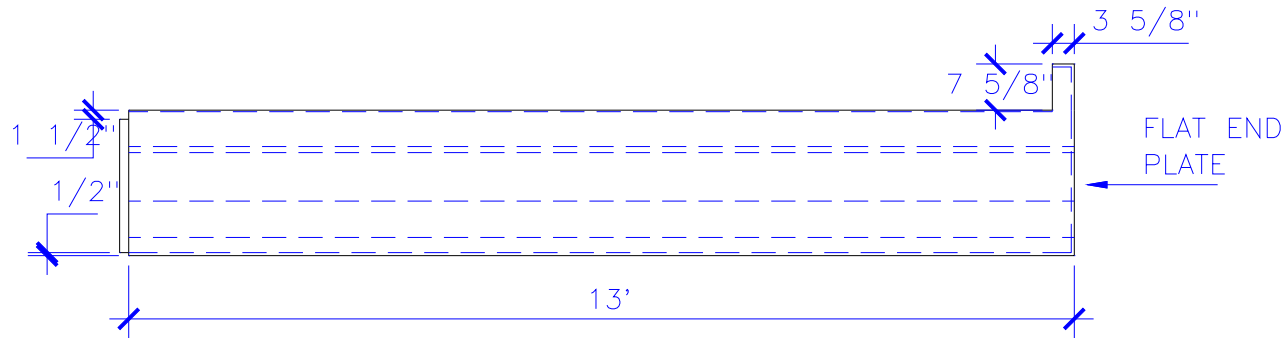
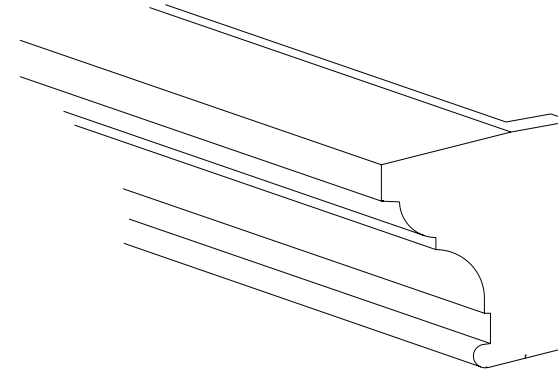


FLANGED
LEFT END



CLOSED
RIGHT END



PROJECT:

REVISIONS:

TITLE: END DETAIL



Stromberg Architectural Products
P.O. Box 8036, I-30 West, Greenville, TX 75404 (903) 454-8682 FAX (903) 454-3642

TYPE DWG: PRE-CONTRACT

DATE:

DRAWN BY:

SCALE: 3/8" = 1'

DWG. SHEET: CM.-.-.Z.7.R1