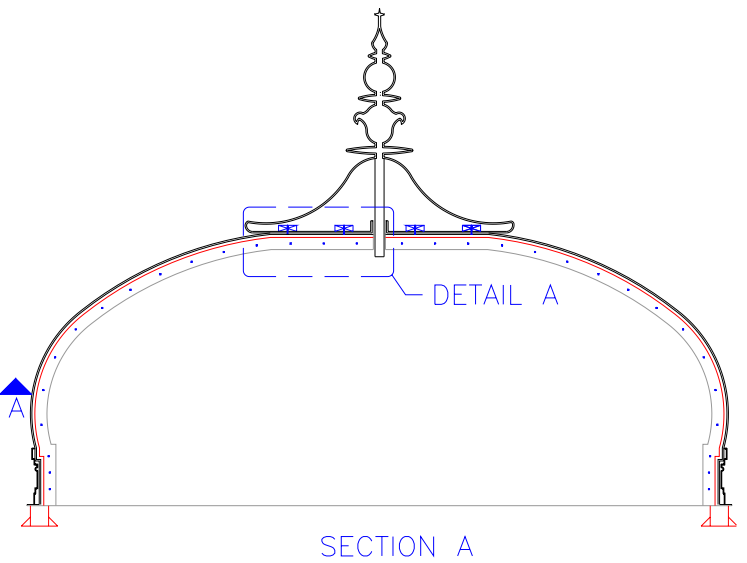
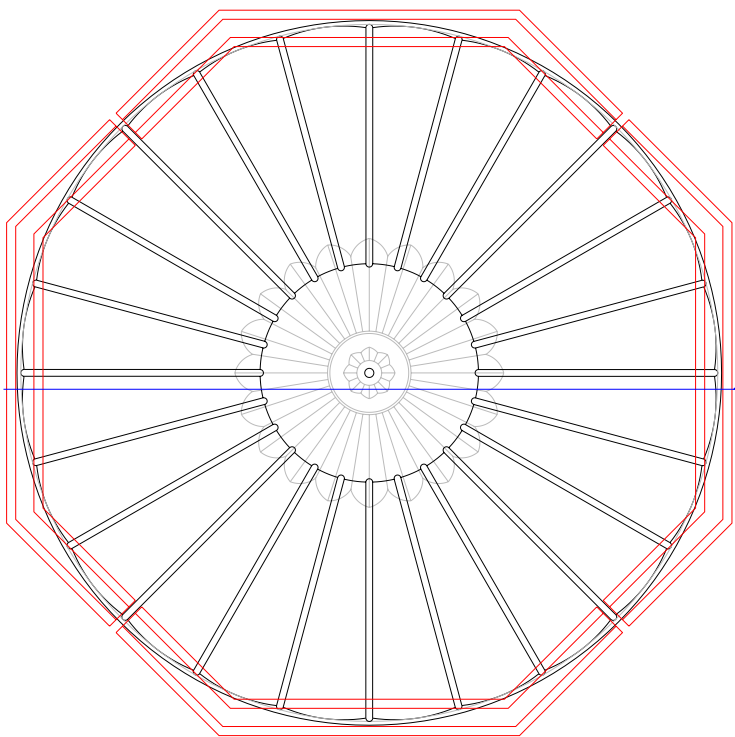


Ⓐ DETAIL A
SCALE: 3" = 1'



ITEM TAG: GHBH155-MOUNTING

PROJECT:

TYPE DWG ERECTION

DRAWN BY:

REVISIONS:

DWG: GHBH155B_MTG

SHEET

Stromberg Architectural Products
P.O. Box 8036, I-30 West, Greenville, TX 75404 (903) 454-8682 FAX (903) 454-3642



SCALE 3/16" = 1'
DATE:

1 OF 1