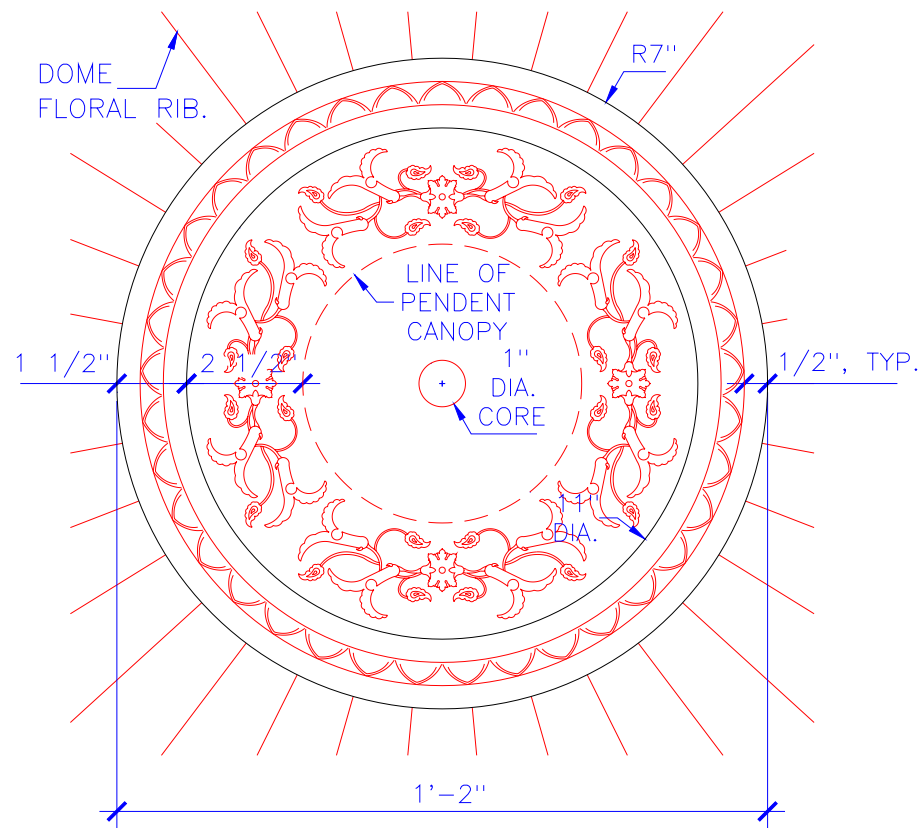
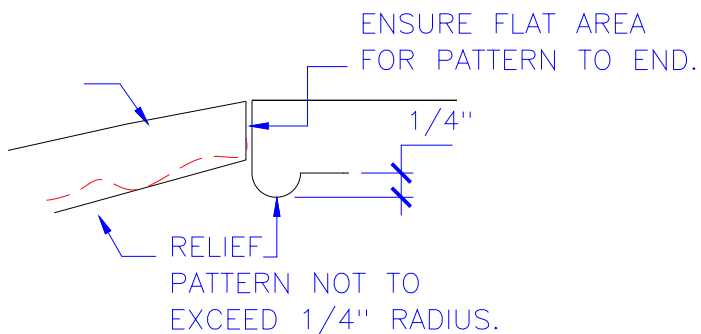


DETAIL B
SCALE: 3" = 1'



VIEW A
SCALE: 3" = 1'



DETAIL B
SCALE: 6" = 1'

PROJECT:

REVISIONS:

TITLE: GUEST HOUSE INTERIOR LIVING ROOM DOME



Stromberg Architectural Products
P.O. Box 8036, I-30 West, Greenville, TX 75404 (903) 454-8682 FAX (903) 454-3642



TYPE DWG: SETTING PLAN

DATE:

DRAWN BY:

SCALE: 3" = 1'

DWG: GHLR_DOME_SP2

SHEET: 2 OF 3