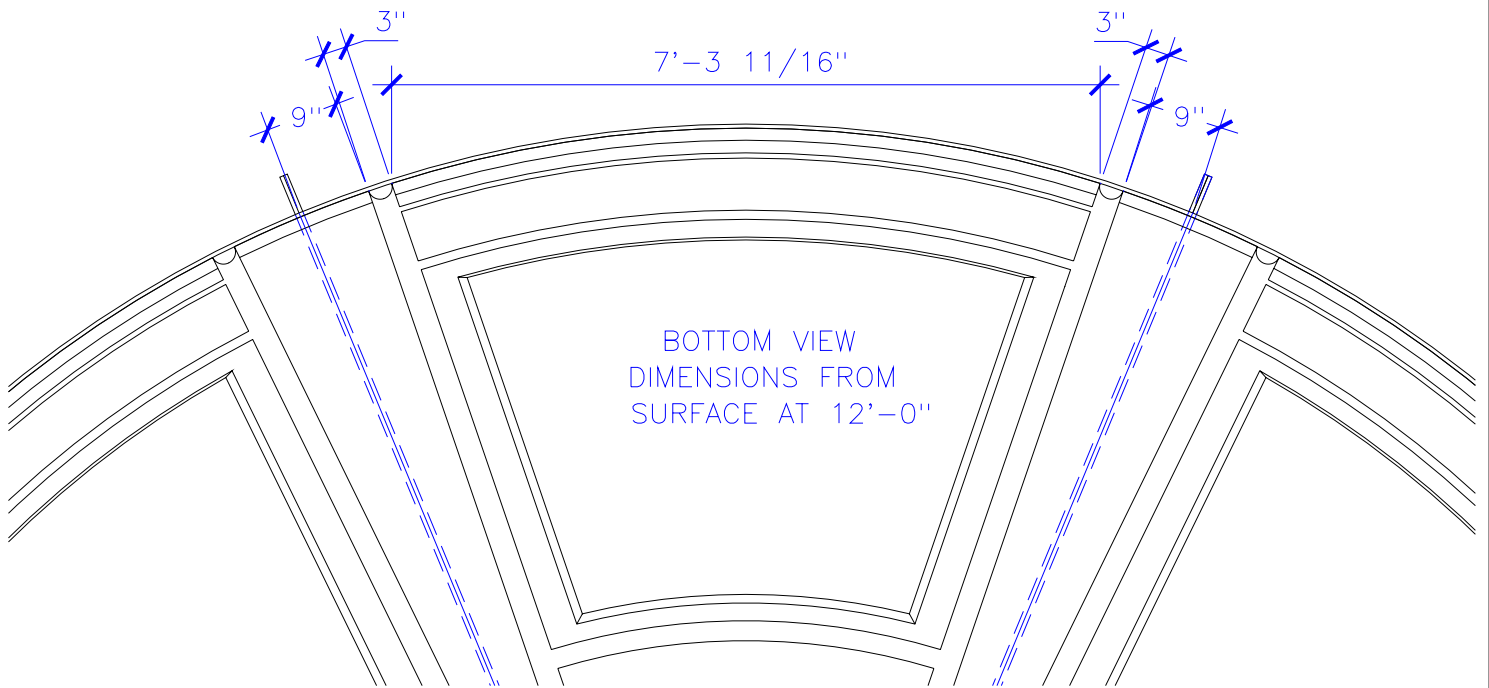
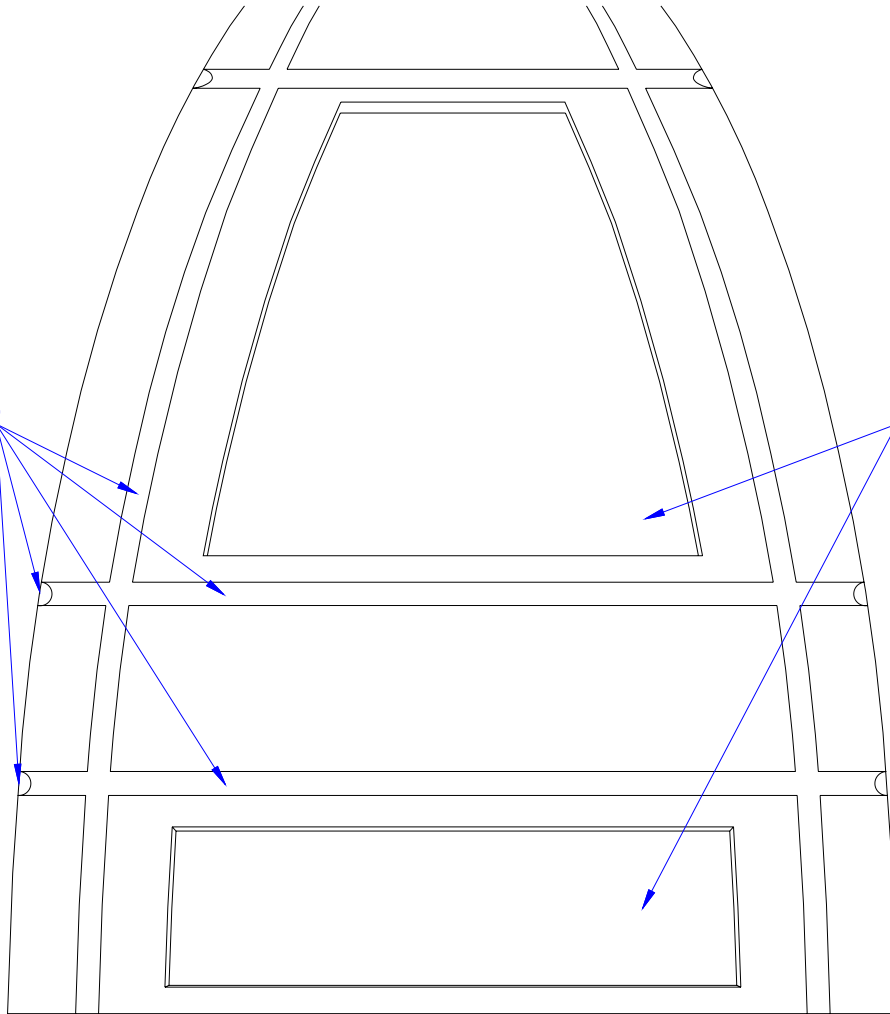


RINGS

COFFERS



PROJECT: TITLE: DOME RING & COFFER DETAILS

REVISIONS: TYPE DWG: DETAIL DRAWN BY:

SCALE: 1/2" = 1' DATE:

DWG. SHEET: SRD.1.-.D.4.R0



Stromberg Architectural Products
P.O. Box 8036, I-30 West, Greenville, TX 75404 (903) 454-8682 FAX (903) 454-3642