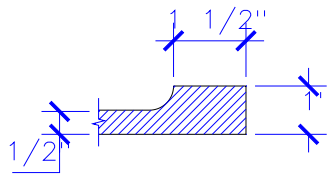
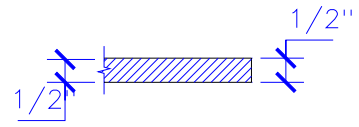


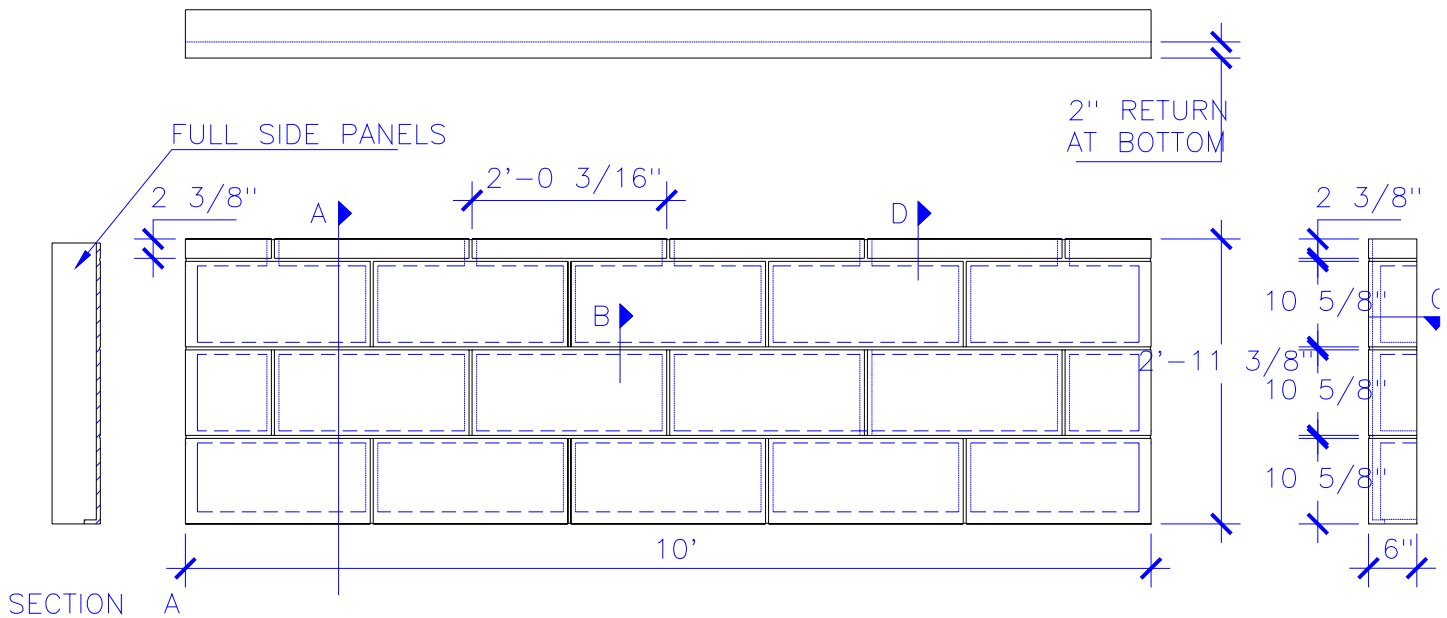
SECTION B
SCALE: 3" = 1'



SECTION C
SCALE: 3" = 1'



SECTION D
SCALE: 3" = 1'



REVISIONS:					ITEM TAG: DS-1B
DWG. APPROVED	MOLD	CAST	SHIPPED	TOTAL WT.	MATERIAL: GFRC
				1016	TOTAL # OF ITEM:
PROJECT:			DRAWING TITLE:		TOTAL SQ. FEET:
LOCATION:			BALLROOM ENTRY		COLOR: PER APPROVED SAMPLE
CLIENT:			DOOR SURROUND PANEL		TEXTURE: PER APPROVED SAMPLE
CUSTOMER APPROVAL:			TYPE DWG: FABRICATION		REFERENCES: 1/A2.1
			DRAWN BY:		DATE:
			SHEET: A		SCALE: 1/2" = 1'
Stromberg Architectural Products P.O. Box 8036, I-30 West, Greenville, TX 75404 (903) 454-8682 FAX (903) 454-3642					DWG. SHEET: HIBE.5.2.F.1.R1