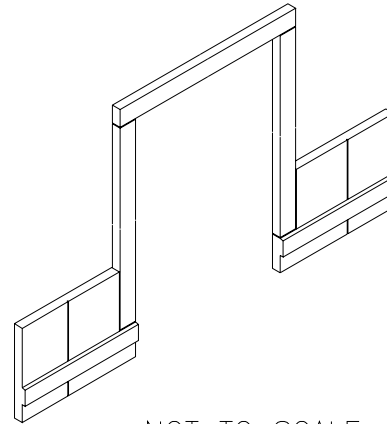
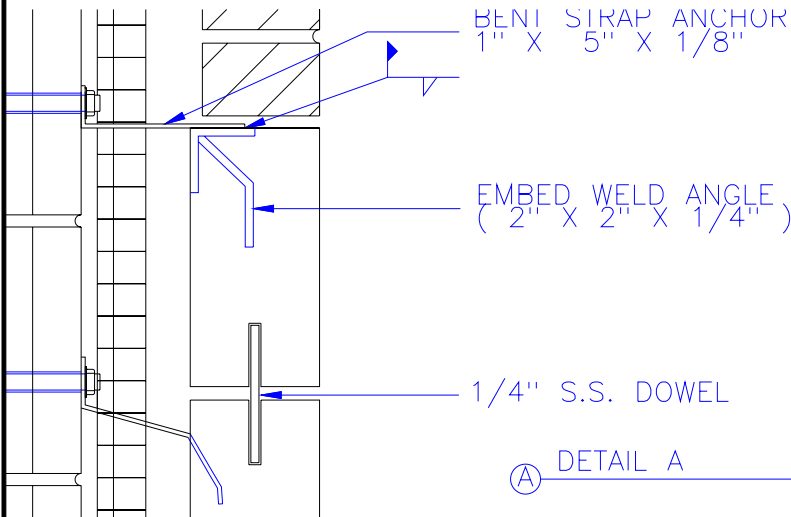


SCALE 1/4" = 1'



NOT TO SCALE

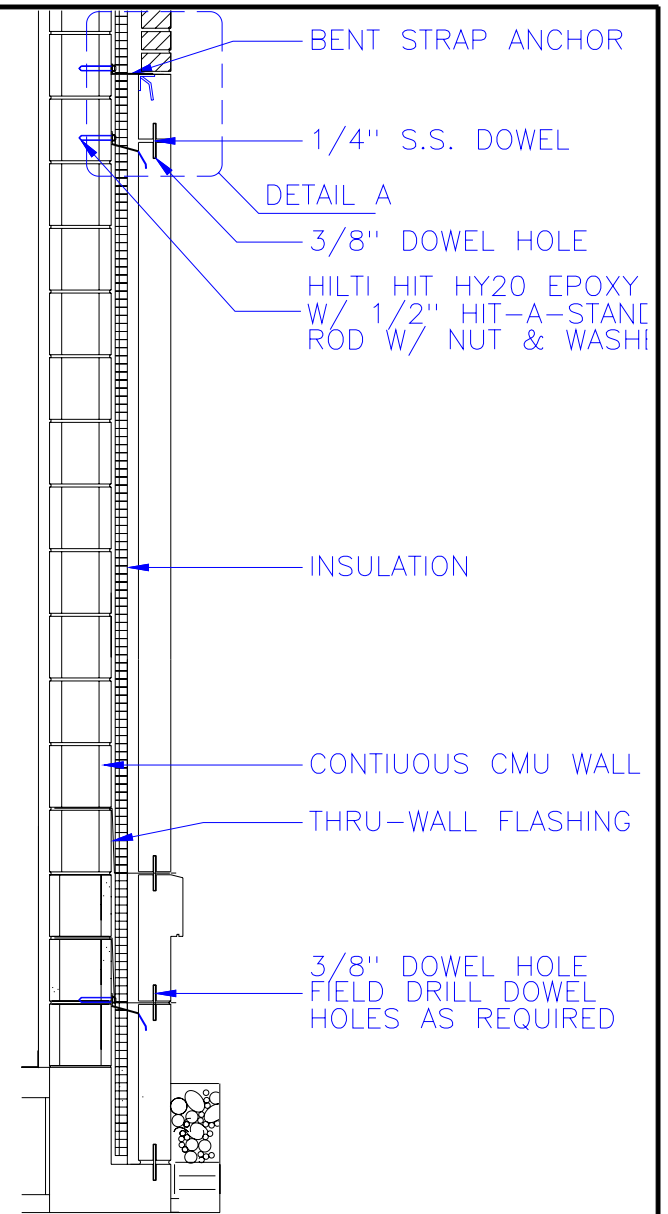


BENT STRAP ANCHOR
1" X 5" X 1/8"

EMBED WELD ANGLE
(2" X 2" X 1/4")

1/4" S.S. DOWEL

Ⓐ DETAIL A
SCALE 2" = 1'



BENT STRAP ANCHOR

1/4" S.S. DOWEL

DETAIL A

3/8" DOWEL HOLE

HILTI HIT HY20 EPOXY
W/ 1/2" HIT-A-STAND
ROD W/ NUT & WASHER

INSULATION

CONTINUOUS CMU WALL

THRU-WALL FLASHING

3/8" DOWEL HOLE
FIELD DRILL DOWEL
HOLES AS REQUIRED

Ⓐ SECTION A
SCALE 1/2" = 1'

ERECTION DRAWING

PROJECT:

REFERENCES:

ITEM TAG: D1-MTG



Stromberg Architectural Products
P.O. Box 8036, I-30 West, Greenville, TX 75404 (903) 454-8682 FAX (903) 454-3642



DRAWN BY:

SCALE: N.T.S.

DATE:

DWG: D1_MTG

SHEET

1 OF 1