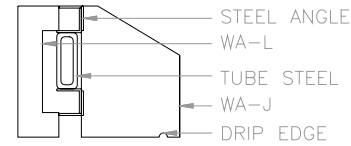
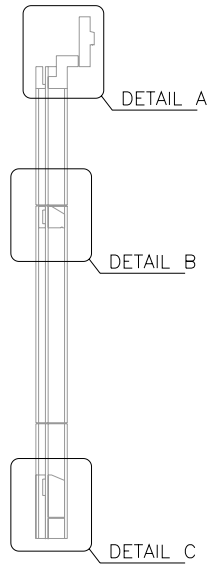
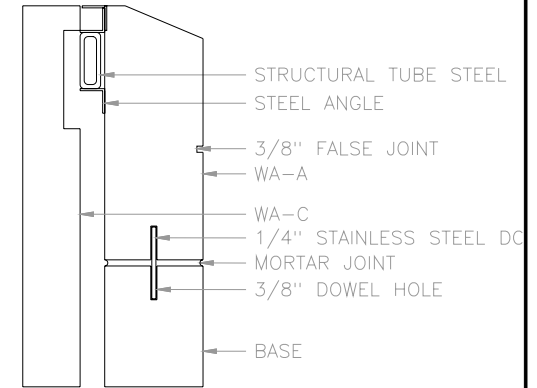


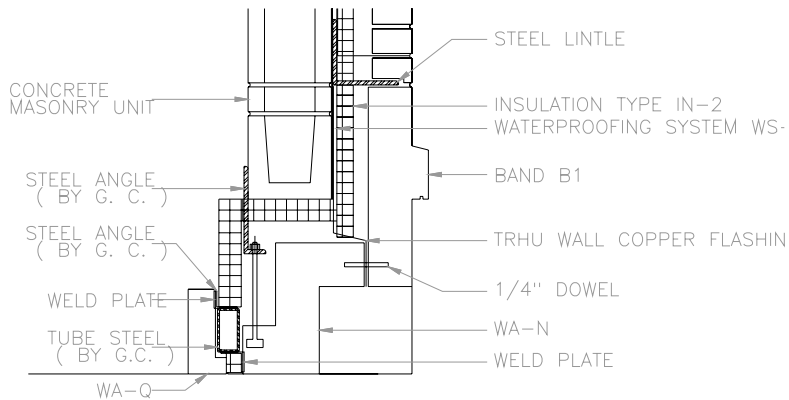
SCALE 1/4" = 1'



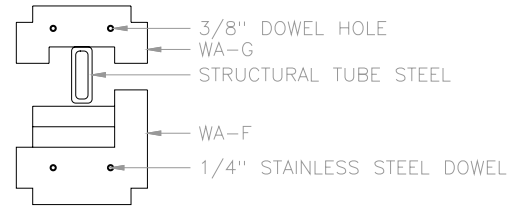
DETAIL B SCALE 1-1/2" = 1'



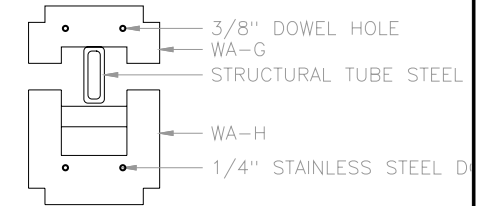
DETAIL C SCALE 1-1/2" = 1'



DETAIL A SCALE 1" = 1'



DETAIL D SCALE 1-1/2" = 1'



DETAIL E SCALE 1-1/2" = 1'

ERECTION DRAWING

DOOR @ ARCADE MOUNTING

PROJECT:	DRAWING TITLE:	REVISION	DATE	DWG:
LOCATION:	DOOR @ ARCADE MOUNTING			DRAWN BY:
CLIENT:	SCALE: 1/4" = 1'			DATE:
CUSTOMER APPROVAL: ?				APPROVED BY:
				SHEET
				1 OF 1