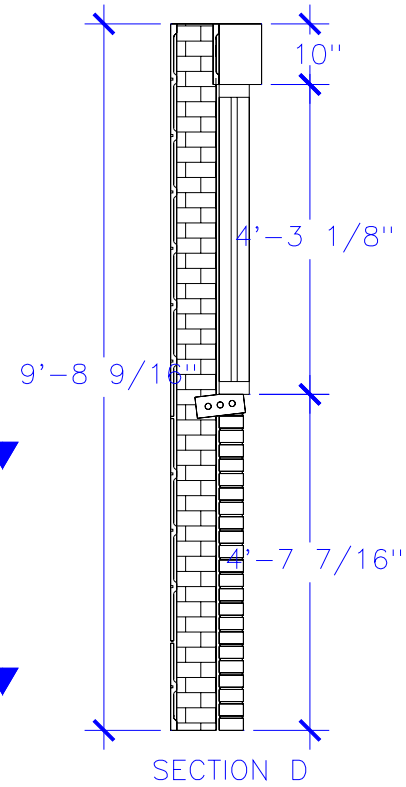
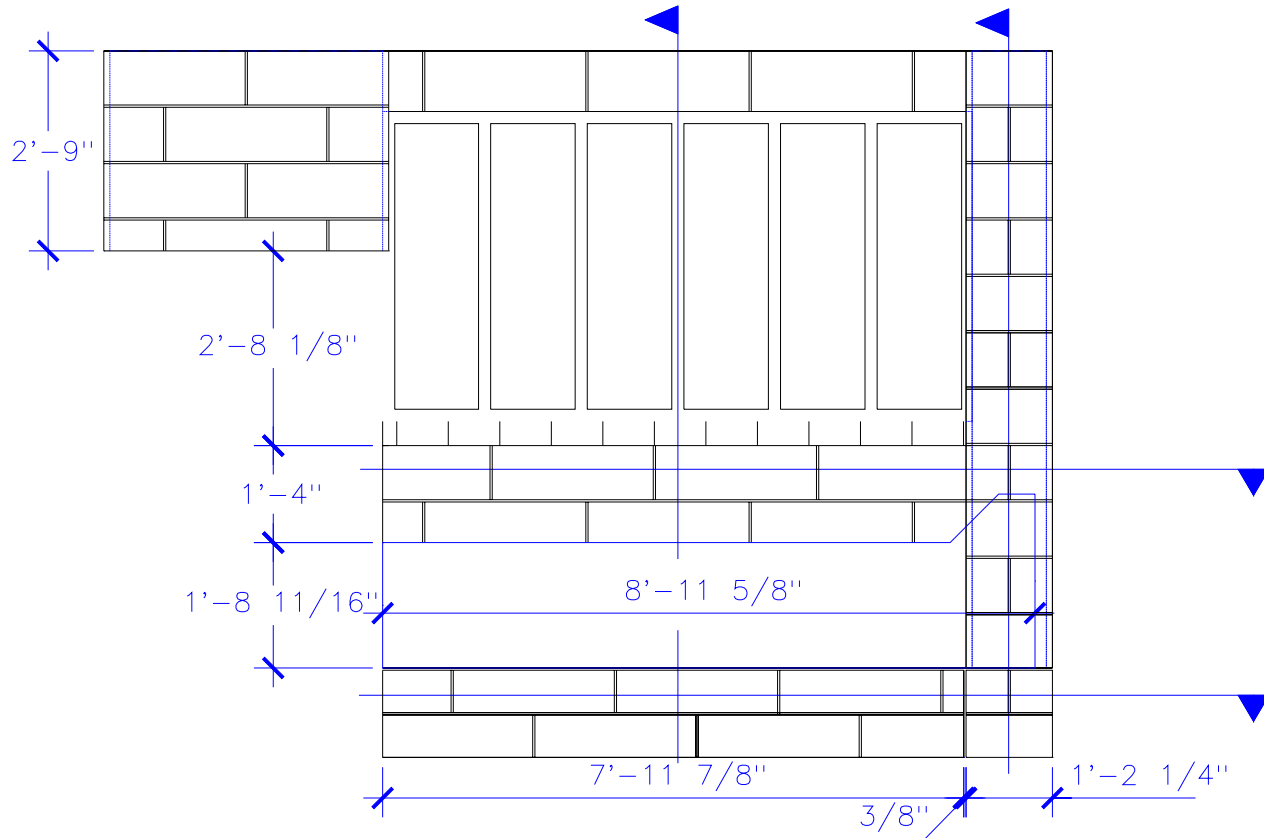


PART LAYOUT
SCALE: 3/16" = 1'



PROJECT:

REVISIONS:

TITLE: GUEST ENTRY G



Stromberg Architectural Products
P.O. Box 8036, I-30 West, Greenville, TX 75404 (903) 454-8682 FAX (903) 454-3642



TYPE DWG: SETTING PLAN

DATE:

DRAWN BY:

SCALE: 3/8" = 1'

DWG. SHEET: HIGG. --S.1.R0