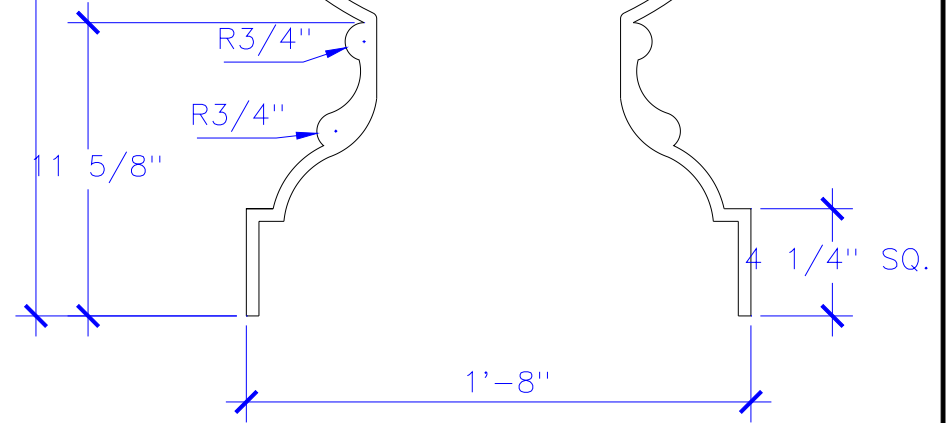



2'-10 3/8"



SECTION A

DWG. APPROVED	MOLD	CAST	SHIPPED	TOTAL WT. 59 LBS.	REFERENCES	ITEM TAG: UP
						MATERIAL: GFRC
PROJECT:			DRAWING TITLE:		REVISIONS	TOTAL # OF ITEM:
LOCATION:			ORNAMENT UPPER PEDESTAL		PROFILE	TOTAL SQ. FEET:
CLIENT:			TYPE DWG: FABRICATION			COLOR: PER APPROVED SAMPLE
CUSTOMER APPROVAL:						TEXTURE: SMOOTH
 <b>Stromberg Architectural Products</b> P.O. Box 8036, I-30 West, Greenville, TX 75404 (903) 454-8682 FAX (903) 454-3642					SCALE: 1" = 1'	DATE:
					SHT: A	DWG. SHEET: FPMO.1.2.F.2.R1