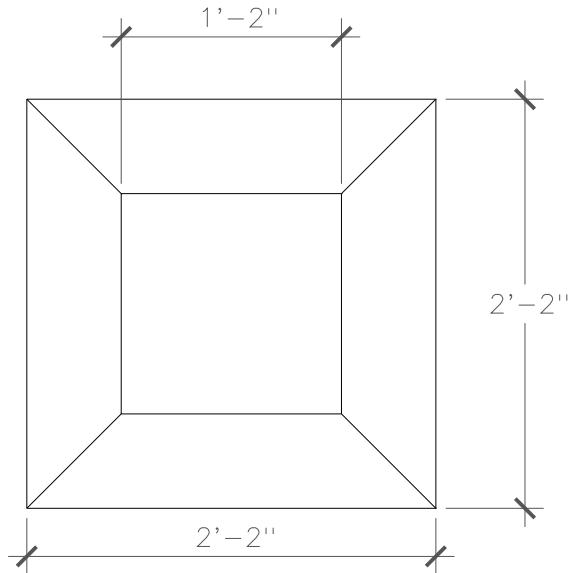
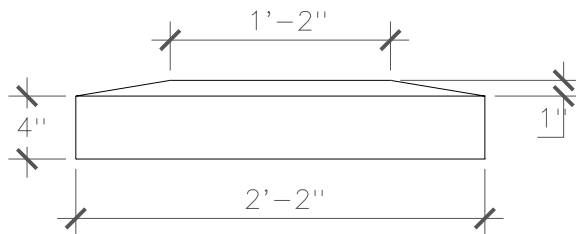


16" BALL FINIAL  
SIDE VIEW



PIER CAP  
TOP VIEW



PIER CAP  
SIDE VIEW

**Stromberg Architectural Products**

P.O. Box 8036 I-30 West Greenville, Texas, 75404  
(903) 454-8682 FAX (903) 454-3642



**TITLE:** PIER CAP & BALL FINIAL

**SCALE:** 1" = 1' **FILE NO:** GRATTON

**DATE:** **DRAWN BY:**