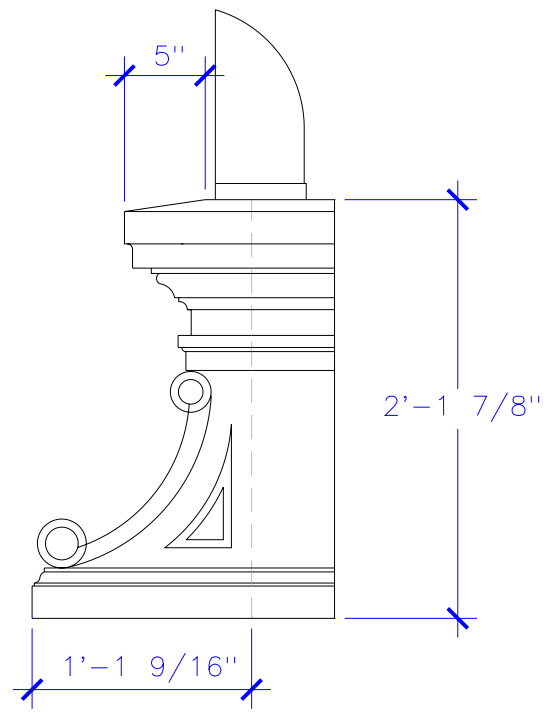
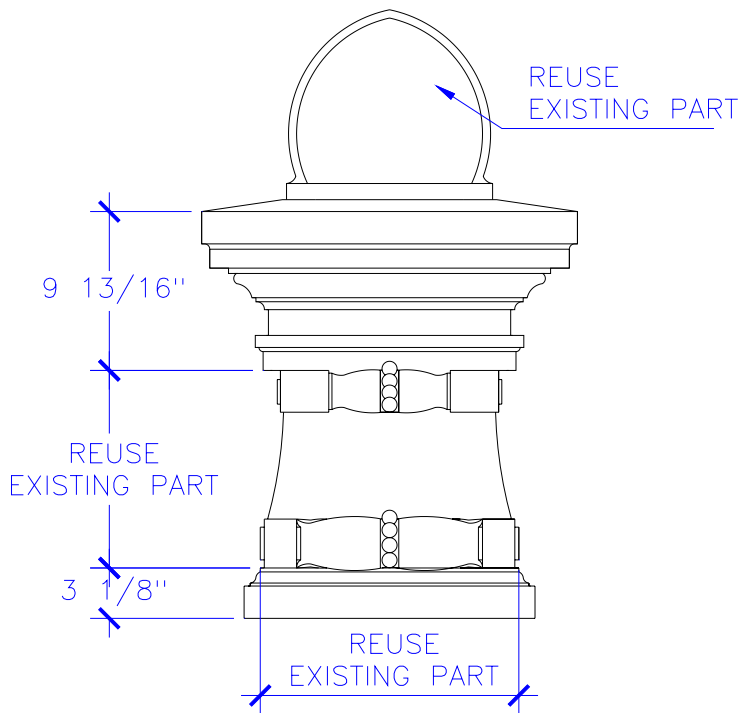


TOP VIEW



SIDE VIEW

REVISIONS:					ITEM TAG: BUTTRESS	
DWG. APPROVED	MOLD	CAST	SHIPPED	TOTAL WT.	MATERIAL: GFRG	
					TOTAL # OF ITEM:	
PROJECT:			DRAWING TITLE:		TOTAL SQ./CU. FEET: ? SQ. FT.	
LOCATION:			BALDACHIN BUTTRESS		COLOR: WHITE	
CLIENT:			TYPE DWG: FABRICATION		TEXTURE: SMOOTH	
CUSTOMER APPROVAL:			DRAWN BY:		REFERENCES:	
			SHEET: A		DATE:	
Stromberg Architectural Products P.O. Box 8036, I-30 West, Greenville, TX 75404 (903) 454-8682 FAX (903) 454-3642					SCALE: 3/4" = 1'	
					DWG. SHEET: SACB.1.3.F.1.R0	