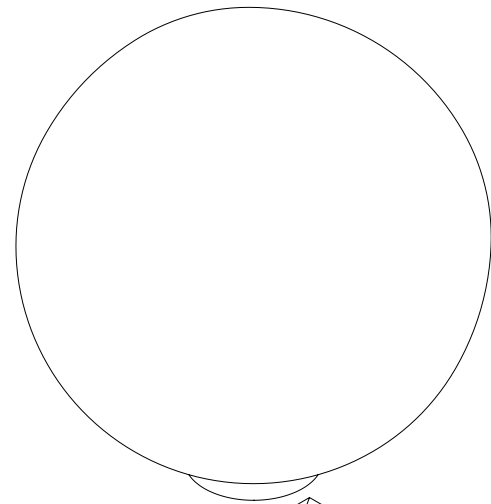
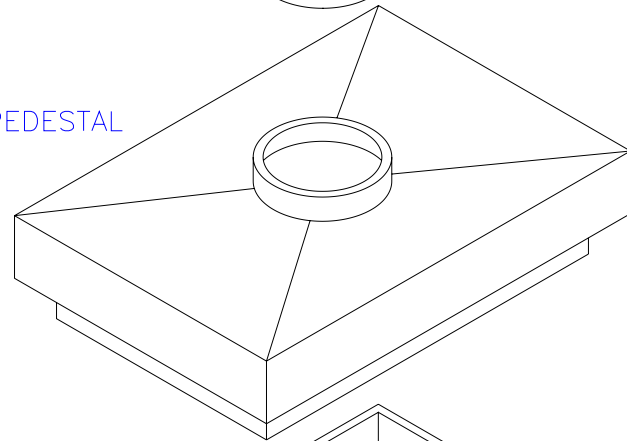


ASSEMBLED FINIAL WITH PEDESTAL

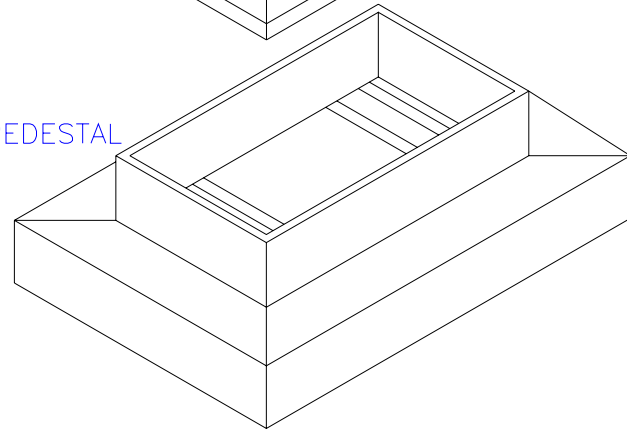
FINIAL



UPPER PEDESTAL



LOWER PEDESTAL



PROJECT:

REVISIONS:

TITLE: ORNAMENT ON GABLE AT GRID 8/M.5



**Stromberg Architectural Products**

P.O. Box 8036, I-30 West, Greenville, TX 75404 (903) 454-8682 FAX (903) 454-3642

TYPE DWG: ASSEMBLY

DATE:

DRAWN BY:

SCALE: 1" = 1'

DWG. SHEET: FPMO.1.-.A.1.R0