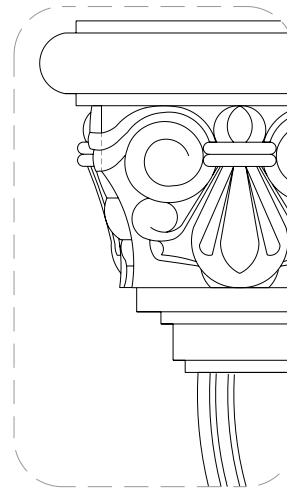
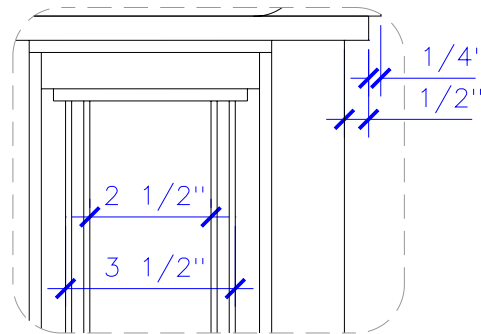


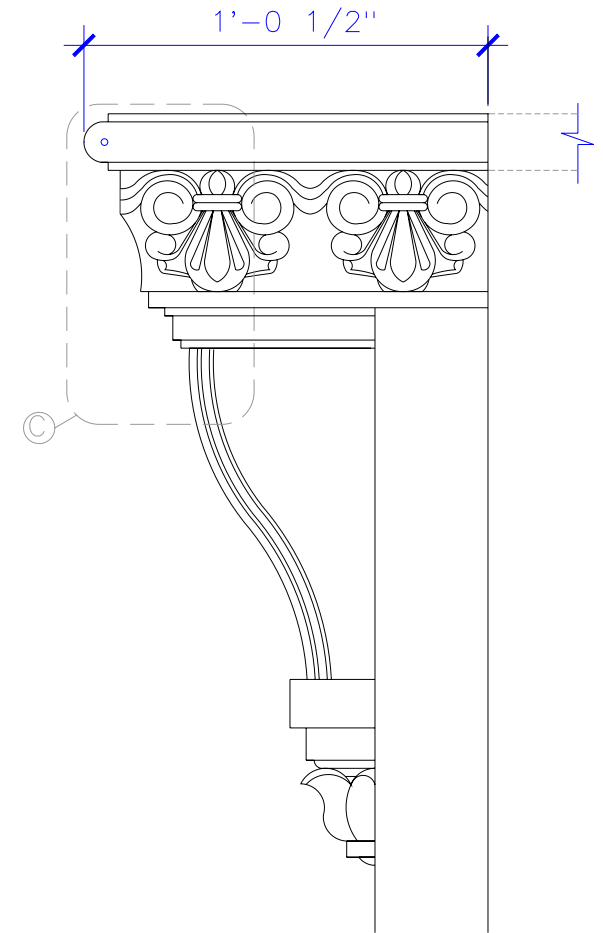
DETAIL A
SCALE: 2" = 1'



DETAIL C
SCALE: 3" = 1



DETAIL D
SCALE: 3" = 1



DETAIL B
SCALE: 2" = 1'

PROJECT:

REVISIONS:



Stromberg Architectural Products
P.O. Box 8036, I-30 West, Greenville, TX 75404 (903) 454-8682 FAX (903) 454-3642



DRAWN BY:

SCALE: AS NOTED

ITEM TAG: BH185_S

TYPE DWG: FABRICATION

DATE:

DWG: BH_185_S2

SHEET

2 OF 4