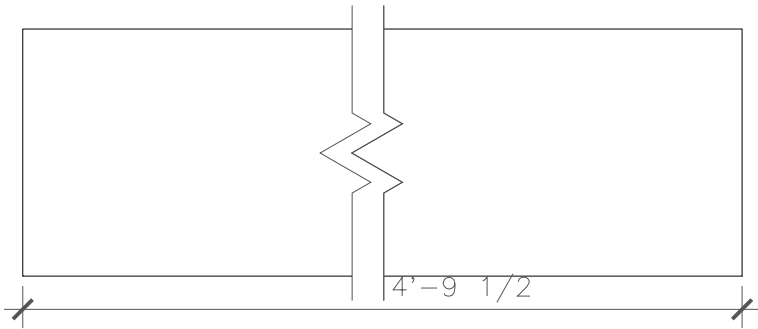
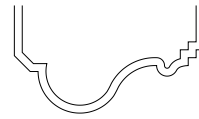
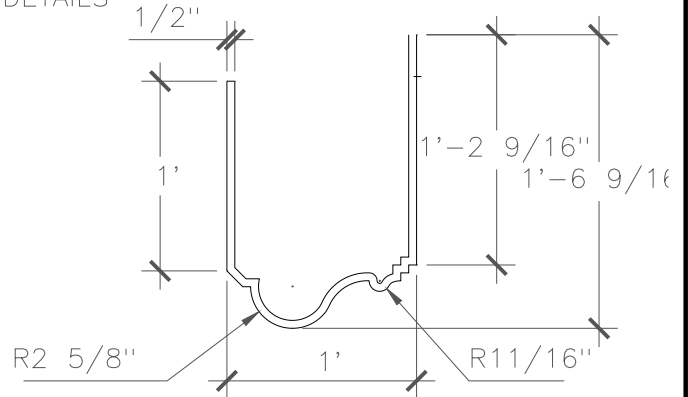


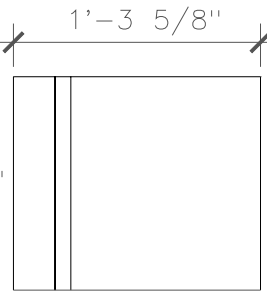
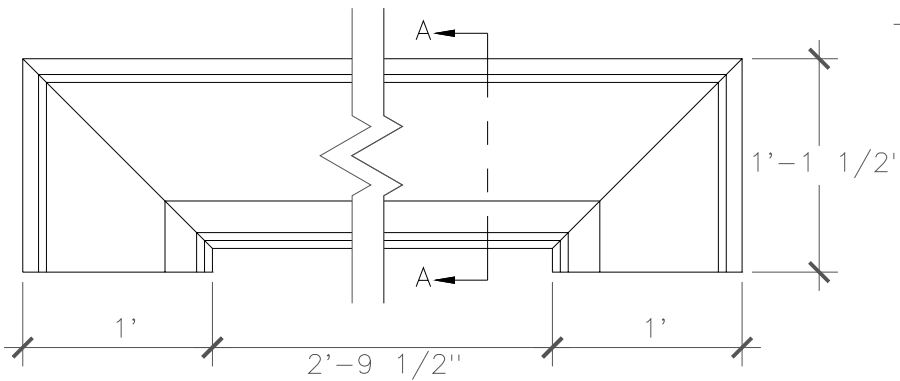
PROFILE DETAILS



TOP VIEW



SECTION AA



ITEM TAG:	FS-3	GFRC
TOTAL # OF ITEM:	1	
PERIMETER SECTION	1' - 10 11/16"	

DRAWING REFERENCES FOR THIS ITEM

TOTAL LINEAR FEET:	5' - 0"
TOTAL SQUARE FEET:	
COLOR:	?
TEXTURE:	?

ACTION COMPLETED

CAD	PRODUCTION	MOLD	FINISHED	PACKED	SHIPPED	RECEIVED
/ /	/ /	/ /	/ /	/ /	/ /	/ /

DWG: FS_3	DRAWN BY: HRM
DATE:	SHEET

Stromberg Architectural Products
 P.O. Box 8036, I-30 West, Greenville, TX 75404 (903) 454-8682 FAX (903) 454-3642

CHECKED BY:	3 OF 3
APPROVED BY:	

PROJECT:	CONTRACT NO: N/A	REVISION	DATE
LOCATION:	DRAWING TITLE:		
DESIGNER:	FIREPLACE SURROUND		
CONTACT:	SCALE: 1" = 1'		