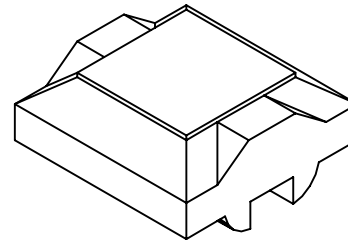
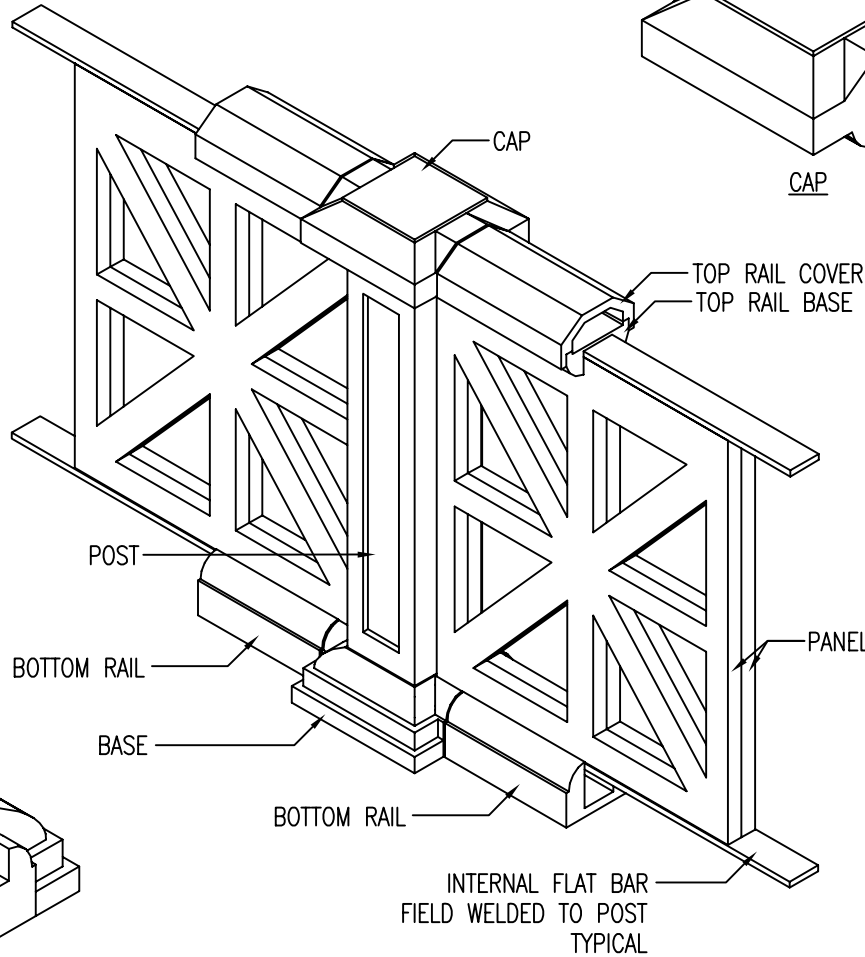


POST



CAP



POST

BOTTOM RAIL

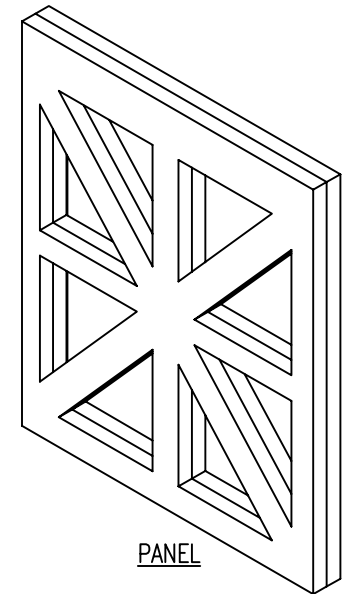
BASE

BOTTOM RAIL

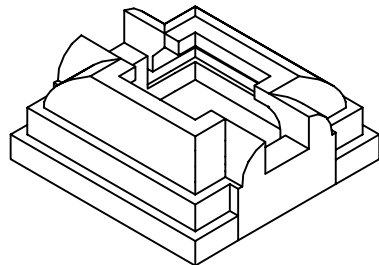
INTERNAL FLAT BAR
FIELD WELDED TO POST
TYPICAL

TOP RAIL COVER
TOP RAIL BASE

PANEL




PANEL



BASE

ISOMETRIC VIEW
SCALE: 1" = 1'-0"

ALL RIGHTS RESERVED. THIS DRAWING IS PROPERTY OF STROMBERG ARCHITECTURAL PRODUCTS INC. AND MAY BE USED ONLY WHEN UTILIZING STROMBERG ARCH. PRODUCTS.
STROMBERG GENERAL TERMS AND CONDITIONS APPLY AND ARE INCORPORATED HERE IN BY REFERENCE.
THIS DETAIL MAY NOT APPLY TO ALL CONDITIONS AND CONSTRUCTION SITUATIONS.

PROJECT: INSTALLATION	REVISIONS:	TITLE: BALUSTRADE ASSEMBLY I		
 Stromberg Architectural Products  4400 Oneal Street, Greenville, TX 75404 (903) 454-0904 FAX (903) 454-3642		TYPE DWG: DETAIL	DATE: 7/13/09	DRAWN BY: .
		SCALE: AS NOTED	DWG. SHEET: BAL-A-1	