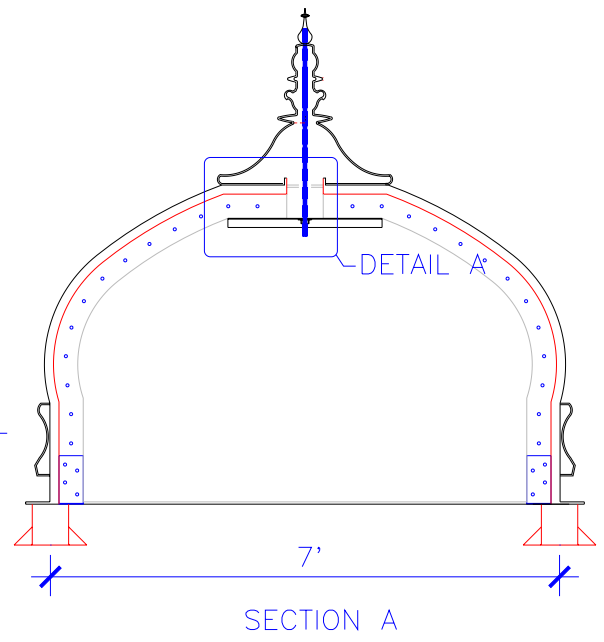
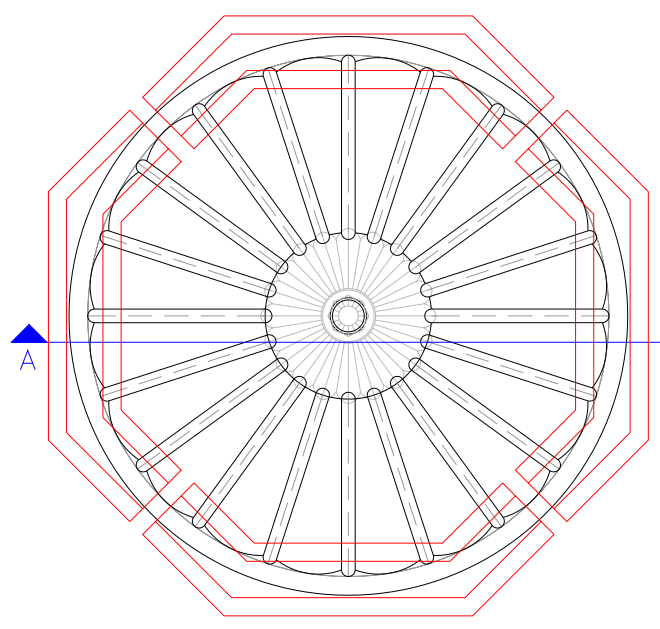


Ⓐ DETAIL A  
SCALE: 3" = 1'



PROJECT:		ITEM TAG: BH154B-MTG	DRAWN BY:
REVISIONS:		SCALE: 3/8" = 1'	SHEET
		TYPE DWG: MOUNTING	
 <b>Stromberg Architectural Products</b> P.O. Box 8036, I-30 West, Greenville, TX 75404 (903) 454-8682 FAX (903) 454-3642		 DWG: BH154B_MTG DATE:	1 OF 1