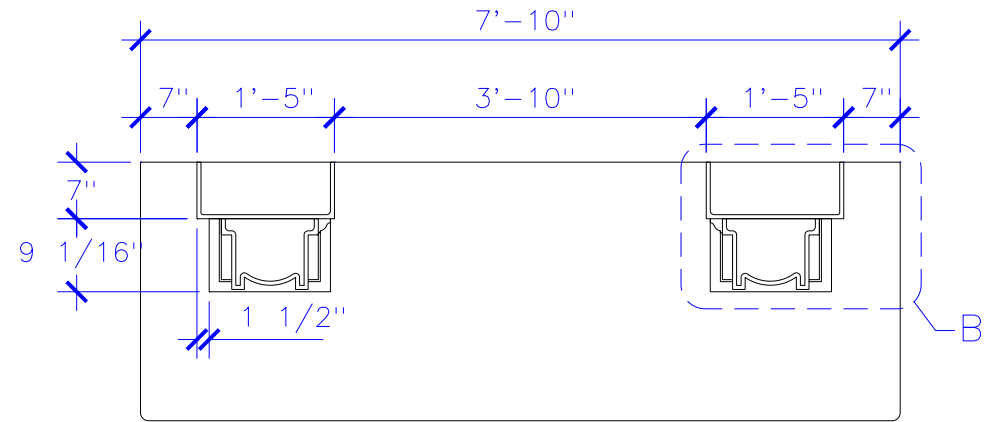
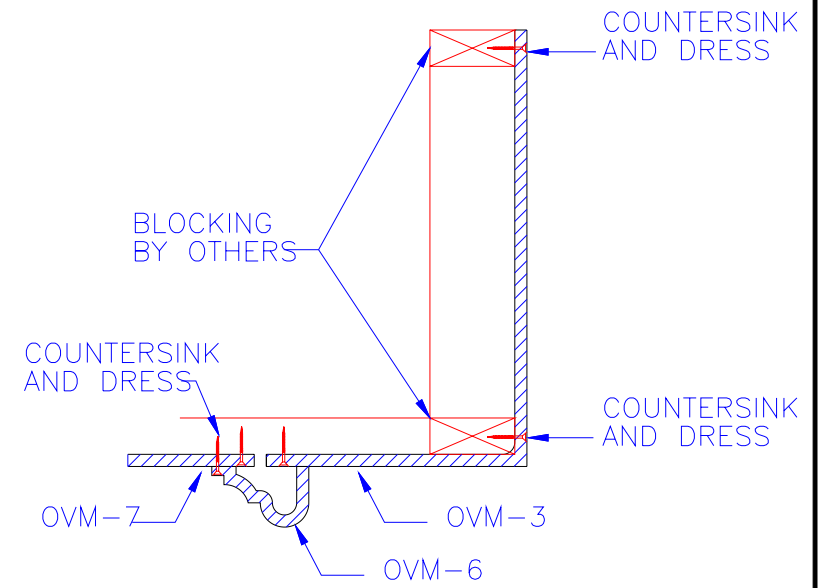


SECTION B

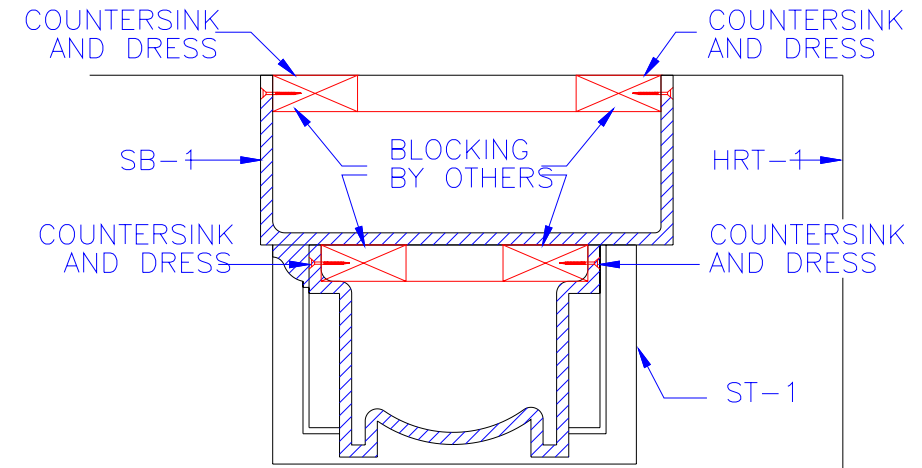


SECTION C



DETAIL A

SCALE: 1 1/2" = 1'



DETAIL B

SCALE: 1 1/2" = 1'

PROJECT:

REVISIONS:

TITLE: ASSEMBLY PLAN



**Stromberg Architectural Products**  
 P.O. Box 8036, I-30 West, Greenville, TX 75404 (903) 454-8682 FAX (903) 454-3642

TYPE DWG: ASSEMBLY PLAN

DATE:

DRAWN BY:

SCALE: 1/2" = 1'

DWG. SHEET: JWFP.-.-A.2.R0