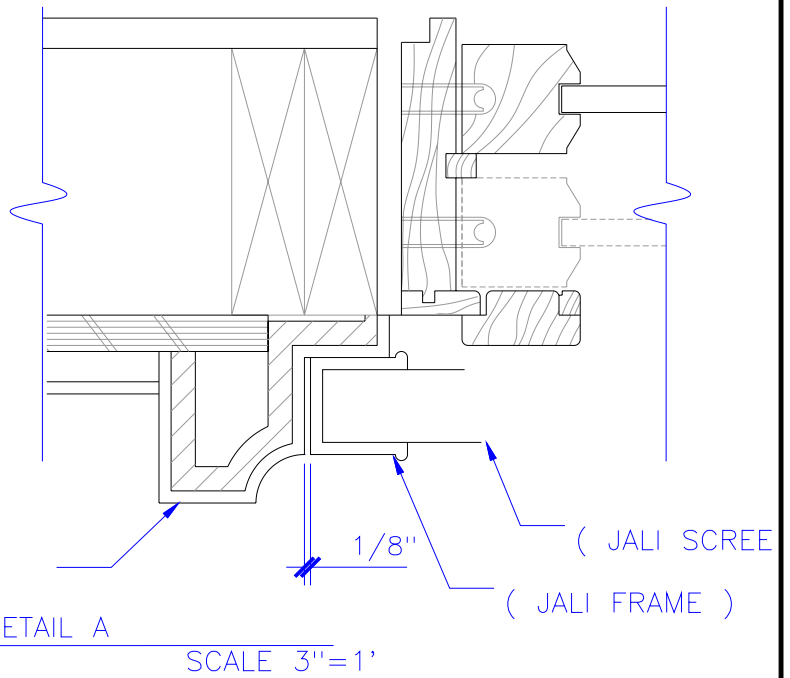


SECTION A



PROJECT:	ITEM TAG: BH138C-MTG1		
REVISIONS:	SCALE: 3/4" = 1'	DRAWN BY:	
 Stromberg Architectural Products P.O. Box 8036, I-30 West, Greenville, TX 75404 (903) 454-8682 FAX (903) 454-3642	DWG: BH138C_MTG	SHEET	
	DATE:	1 OF 2	