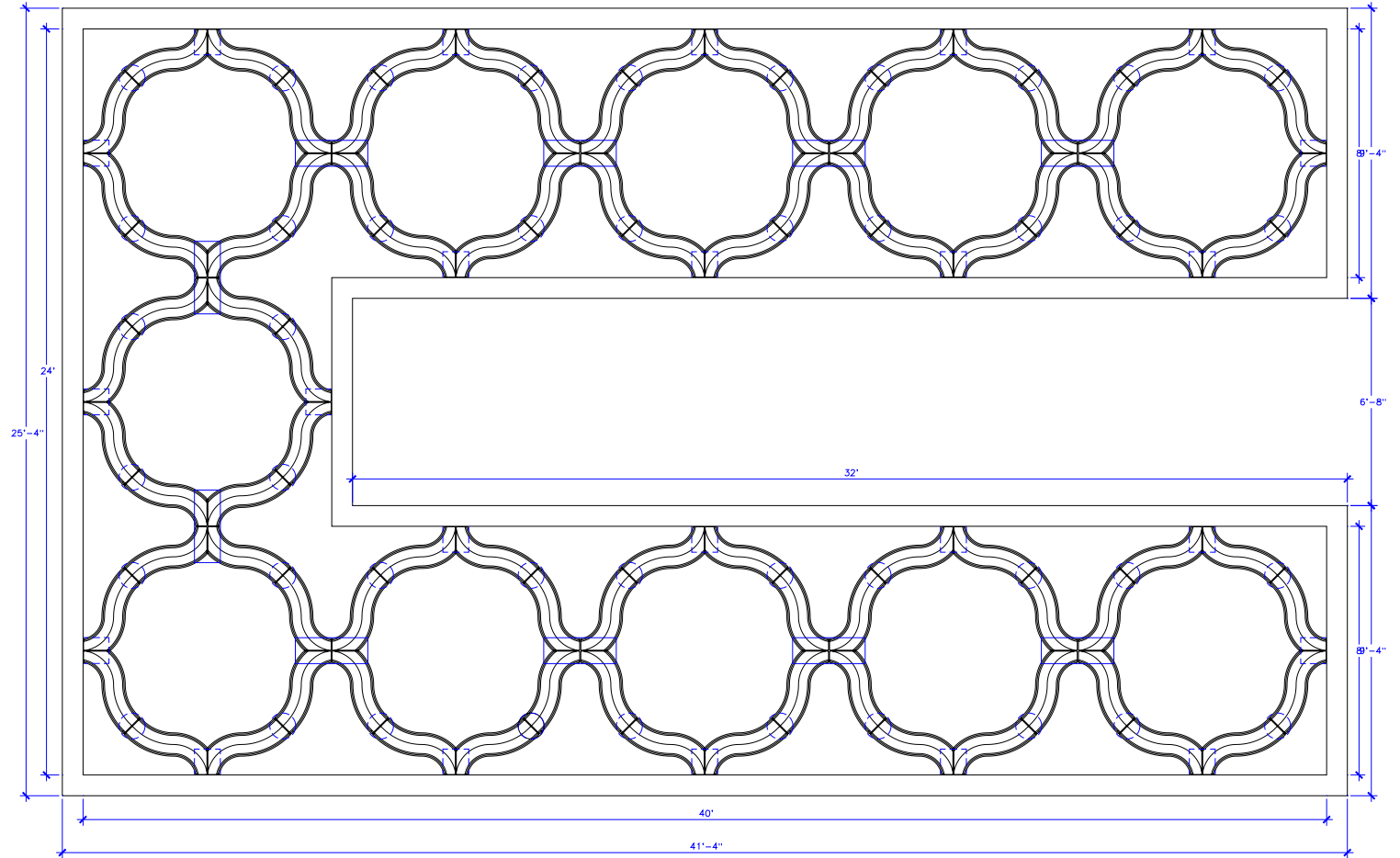
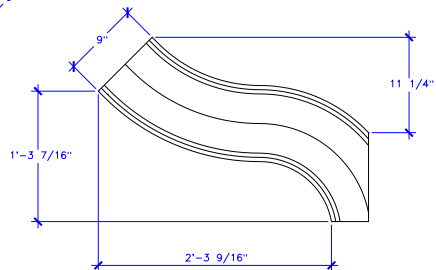
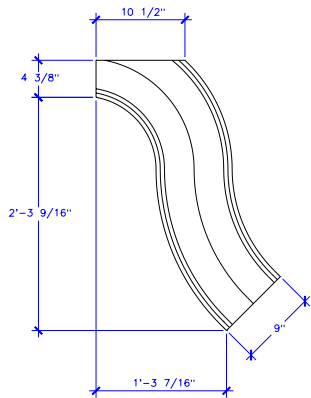


JALI B



Stromberg Architectural Products P.O. Box 8038, 140 West, Greenville, TX 76044 (803) 454-8852 FAX (803) 454-3842	PROJECT:	DRAWING TITLE:	DWG: JALI_A_LAYOUT_LARGE	SHEET
	LOCATION:	JALI "A" (EAST WEST AXIS PLANTERS)	DATE:	2 of 2
	ARCHITECT:	LAYOUT, LARGE	APPROVED BY:	
	G.C.:	SCALE: NTS	SHEET: D	