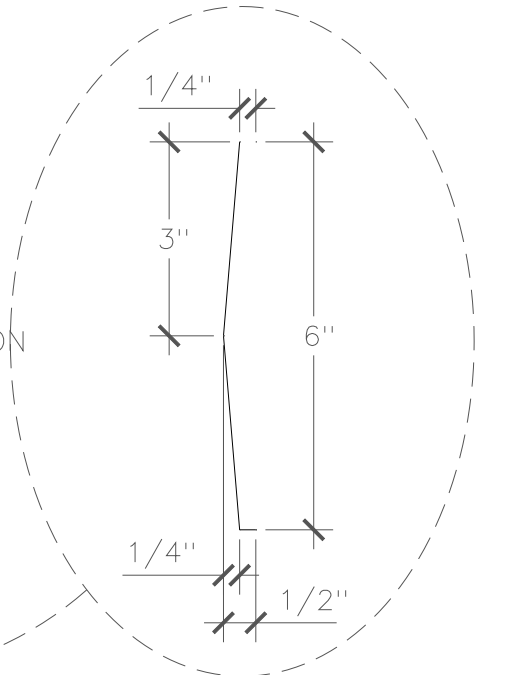
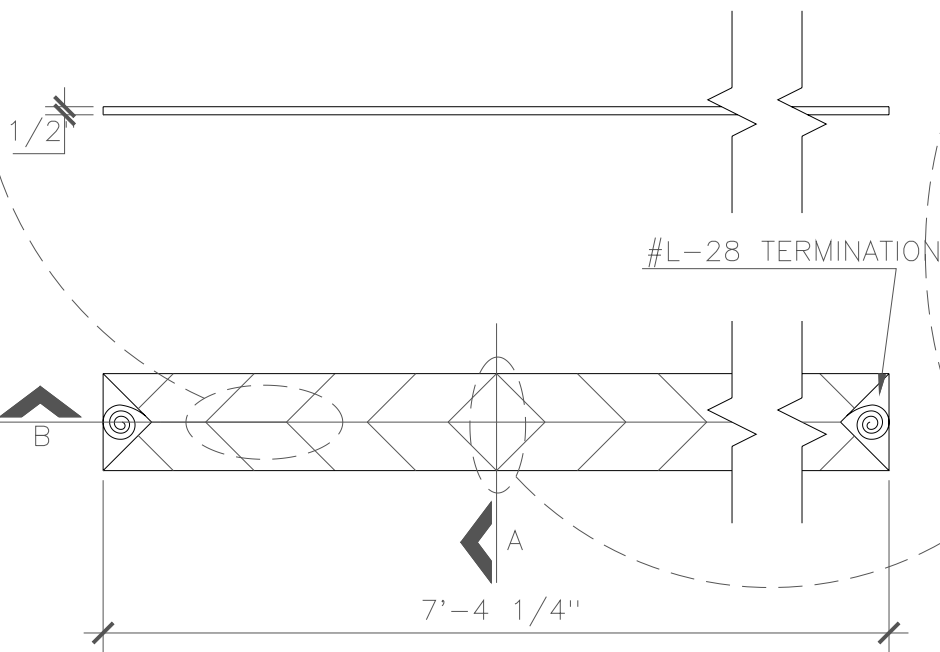
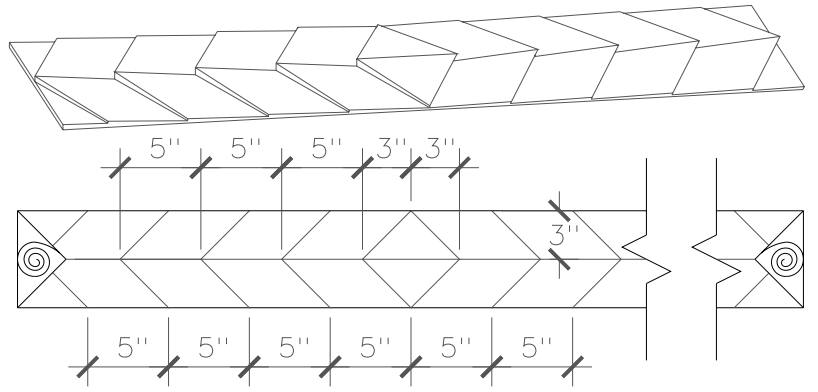


SECTION B, ENLARGED VIEW



SECTION A, ENLARGED VIEW

DRAWING REFERENCES FOR THIS ITEM

SHEET:						
VIEWS:						

ACTION COMPLETED

CAD	PRODUCTION	MOLD	FINISHED	PACKED	SHIPPED	RECEIVED
/ /	/ /	/ /	/ /	/ /	/ /	/ /

ITEM TAG: A-28
MATERIAL: GFRG
TOTAL # OF ITEM:

PERIMETER SECTION
TOTAL SQ. FEET:
COLOR: NATURAL
TEXTURE: SMOOTH

DWG: 28_AM	DRAWN BY:
DATE:	SHEET


Stromberg Architectural Products


 P.O. Box 8036, I-30 West, Greenville, TX 75404 (903) 454-8682 FAX (903) 454-3642

CHECKED BY:	1 OF 1
APPROVED BY:	

PROJECT:	CONTRACT NO: N/A
LOCATION:	DRAWING TITLE:
DESIGNER:	ITEM #28 SHOW LOUNGE AND BAR, APPLIED MOLDING
G.C.:	SCALE: 1" = 1'

REVISION	DATE