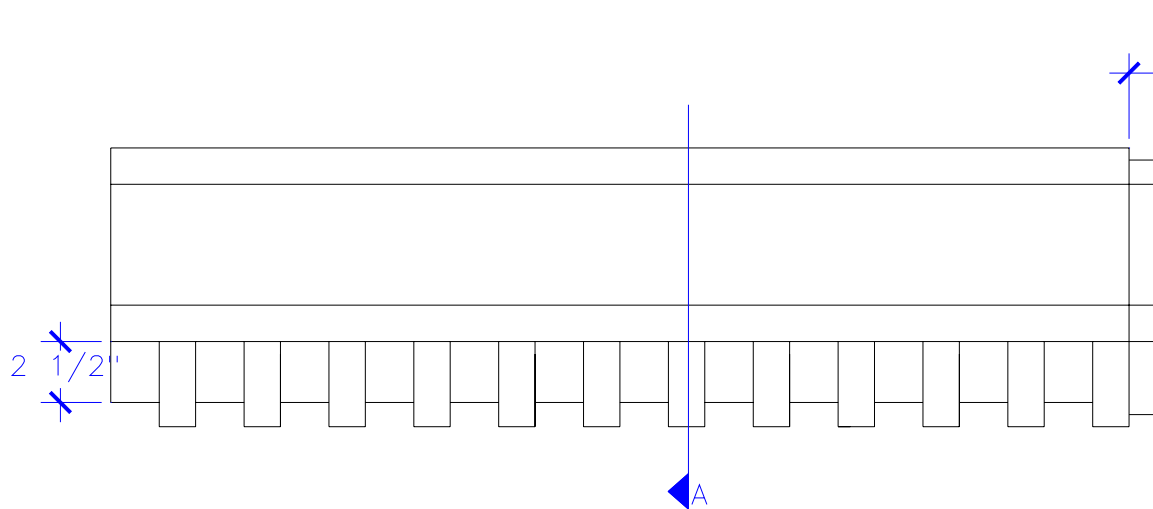
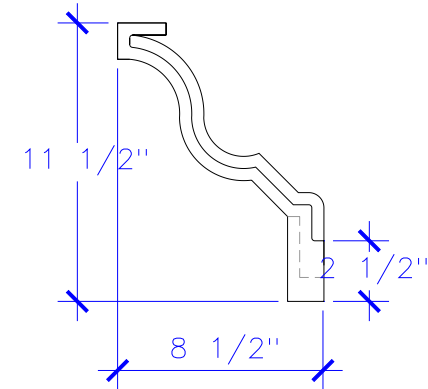



TOP VIEW



1 1/2"  
FLANGE



\*

|   |                       |      |         |           |                    |                            |
|---|-----------------------|------|---------|-----------|--------------------|----------------------------|
| DWG. APPROVED   | MOLD                  | CAST | SHIPPED | TOTAL WT. | REFERENCES         | ITEM TAG: DENTAL MOLDING   |
|   |                       |      |         |           |                    | MATERIAL: GFRC             |
| PROJECT:  | DRAWING TITLE:        |      |         |           | REVISIONS          | TOTAL # OF ITEM:           |
| LOCATION:   | DENTAL MOLDING        |      |         |           |                    | TOTAL CU. FEET:            |
| CLIENT:   | TYPE DWG: FABRICATION |      |         |           |                    | COLOR: PER APPROVED SAMPLE |
| CUSTOMER APPROVAL:  |                       |      |         |           |                    | TEXTURE: SMOOTH            |
|  <b>Stromberg Architectural Products</b><br>P.O. Box 8036, I-30 West, Greenville, TX 75404 (903) 454-8682 FAX (903) 454-3642 |                       |      |         |           | DRAWN BY:          | DATE:                      |
|   |                       |      |         |           | SCALE: 1 1/2" = 1' |                            |