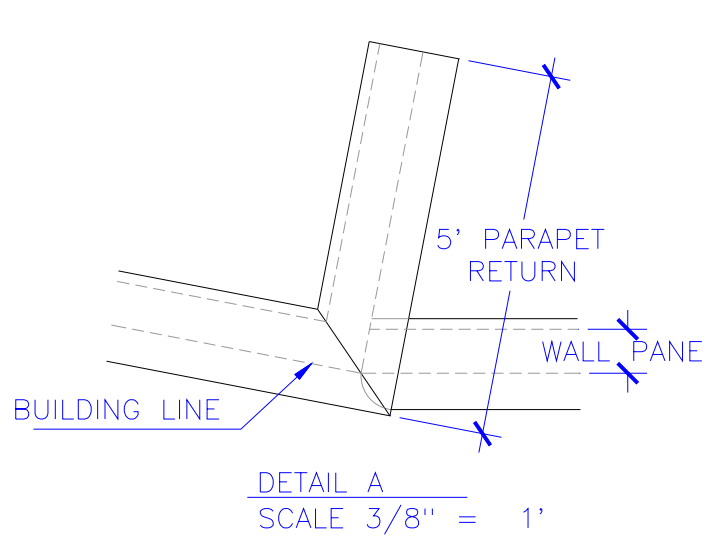
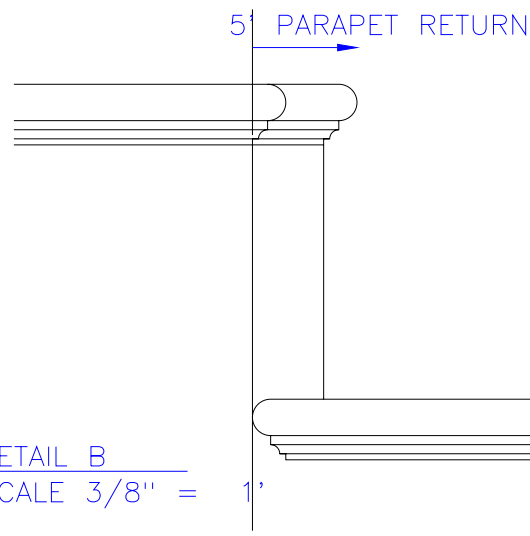


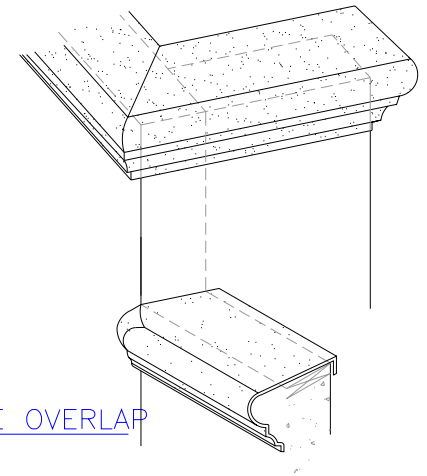
ELEVATION E1
SCALE: 1/8" = 1'



DETAIL A
SCALE 3/8" = 1'



DETAIL B
SCALE 3/8" = 1'



CORNICE OVERLAP
DETAIL

PROJECT:	REVISIONS:	TITLE: SS03 ELEVATION E1	DATE:	DRAWN BY:
 Stromberg Architectural Products Southeast, Inc. P.O. Box 8036, I-30 West, Greenville, TX 75404 (903) 454-8682 FAX (903) 454-3642		TYPE DWG: SETTING PLAN	SCALE: 1/8" = 1'	DWG. SHEET: SALC.(SS03_E1_ELEVATION)