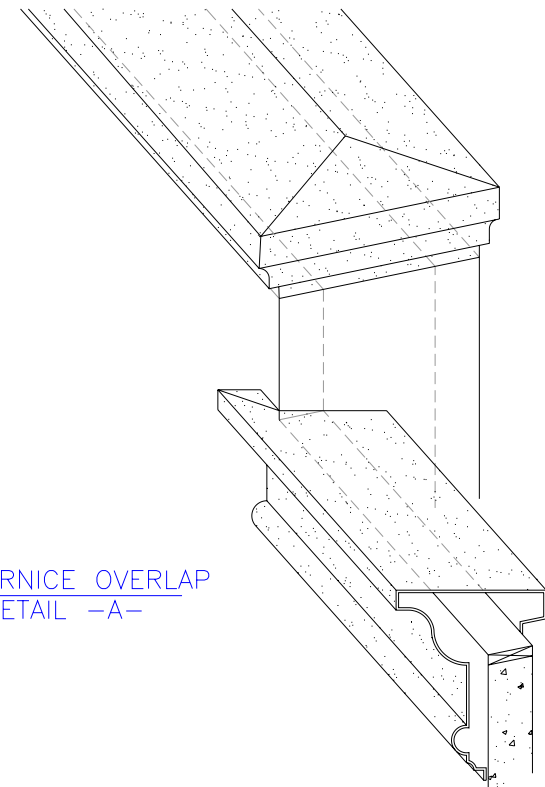



ELEVATION E2  
SCALE 1/16" = 1'



CORNICE OVERLAP  
DETAIL -A-

PROJECT:	REVISIONS:	TITLE: SS11 ELEVATION E2
 <b>Stromberg Architectural Products Southeast, Inc.</b> P.O. Box 8036, I-30 West, Greenville, TX 75404 (903) 454-8682 FAX (903) 454-3642	TYPE DWG: SETTING PLAN SCALE: 1/16" = 1'	DATE: DRAWN BY: DWG. SHEET: SALC.(SS11_E2_ELEVATION)