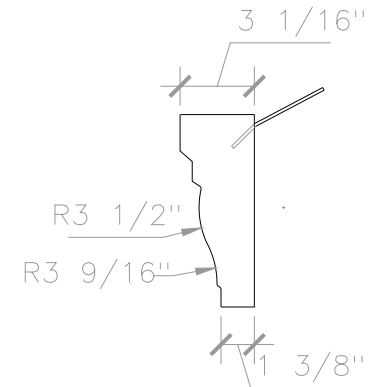
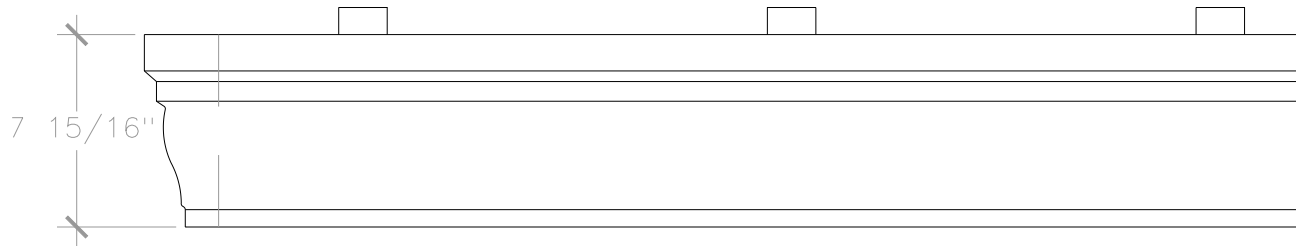
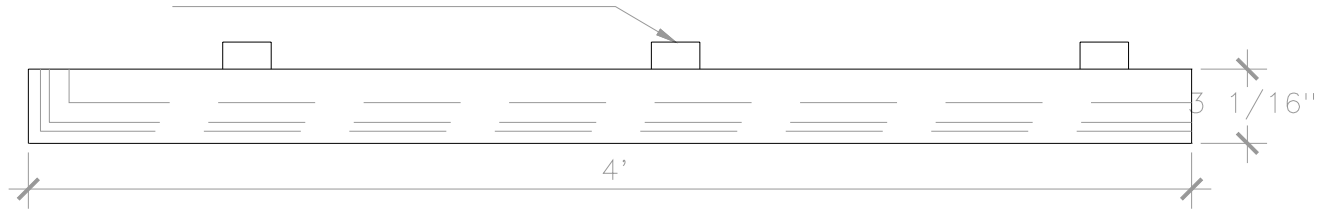



MASONRY STRAP TO BE ATTACHED
TO THE EXISTING STRUCTURE



NOTE: CUT-TO-FIT

ACTION COMPLETED							REFERENCES		ITEM TAG: TA-2L	
CAD	PRODUCTION	MOLD	FINISHED	PACKED	SHIPPED	RECEIVED			MATERIAL: WET CAST	
/	/ /	/ /	/ /	/ /	/ /	/ /	/		TOTAL # OF ITEM:	
 Stromberg Architectural Products P.O. Box 8036, I-30 West, Greenville, TX 75404 (903) 454-8682 FAX (903) 454-3642									PERIMETER:	
									TOTAL CU. FEET:	
PROJECT:							REVISION	DATE	COLOR: PER APPROVED SAMPLE	
LOCATION:									TEXTURE: PER APPROVED SAMPLE	
ARCHITECT:									DWG: TA_2L	SHEET 1 OF 1
G.C.:									DATE:	
DRAWING TITLE: TRIM TA LEFT WRAP									CUSTOMER APPROVAL:	
SCALE: 1 1/2" = 1'										
DRAWN BY:										