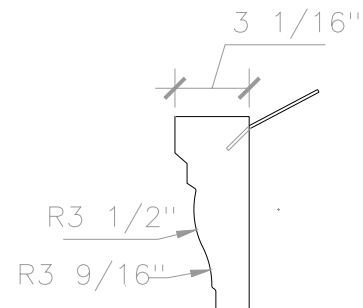
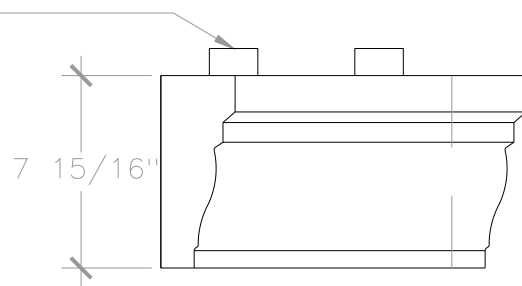



MASONRY STRAP TO BE ATTACHED TO THE EXISTING STRUCTURE



ACTION COMPLETED							REFERENCES		ITEM TAG: TA-3R
CAD	PRODUCTION	MOLD	FINISHED	PACKED	SHIPPED	RECEIVED			MATERIAL: WET CAST
/	/ /	/ /	/ /	/ /	/ /	/ /	/		TOTAL # OF ITEM: 2 PCS.
 Stromberg Architectural Products P.O. Box 8036, I-30 West, Greenville, TX 75404 (903) 454-8682 FAX (903) 454-3642									PERIMETER:
									TOTAL CU. FEET:
PROJECT:			DRAWING TITLE:				REVISION	DATE	COLOR: PER APPROVED SAMPLE
LOCATION:			TRIM TA RIGHT WRAP						TEXTURE: PER APPROVED SAMPLE
ARCHITECT:			SCALE: 1 1/2" = 1'						DWG: TA_3R
G.C.:			DRAWN BY:						DATE:
									SHEET 1 OF 1
									CUSTOMER APPROVAL: