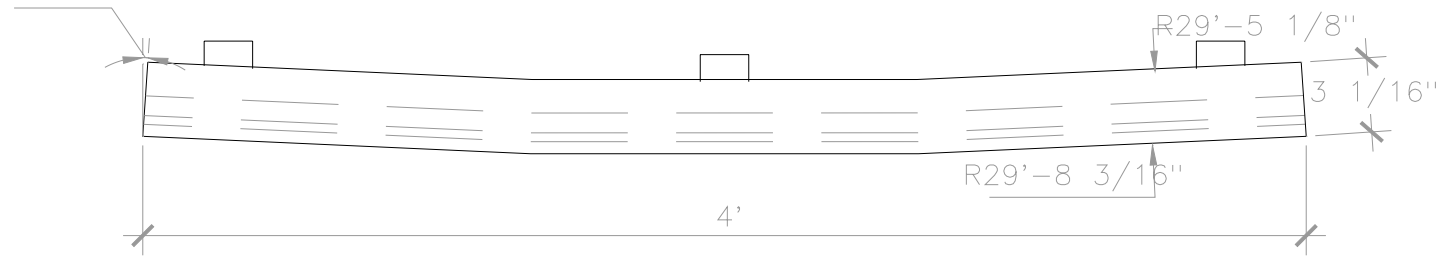
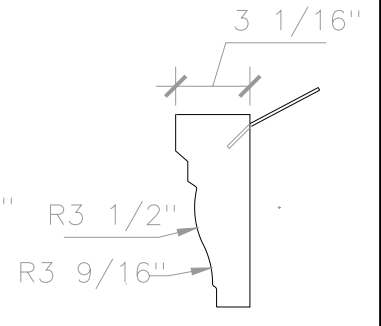
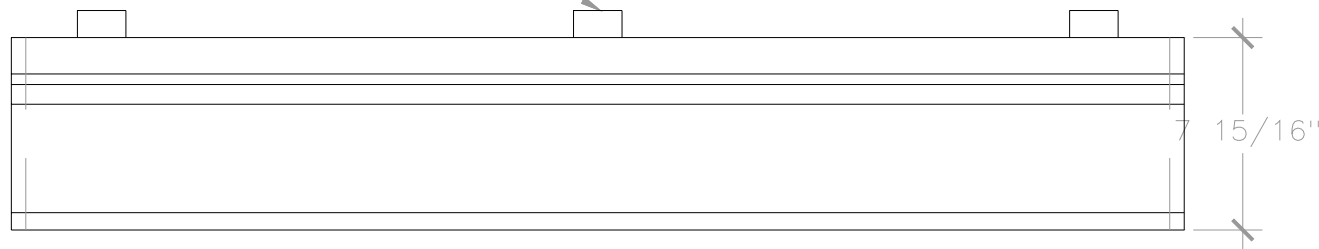



3 DEG.



MASONRY STRAP TO BE ATTACHED TO THE EXISITING STRUCTURE



ACTION COMPLETED							REFERENCES		ITEM TAG: TA-4
CAD	PRODUCTION	MOLD	FINISHED	PACKED	SHIPPED	RECEIVED			MATERIAL: WET CAST
/	//	//	//	//	//	//			TOTAL # OF ITEM:
									PERIMETER:
 <b>Stromberg Architectural Products</b> P.O. Box 8036, I-30 West, Greenville, TX 75404 (903) 454-8682 FAX (903) 454-3642									TOTAL CU. FEET:
							REVISION	DATE	COLOR: PER APPROVED SAMPLE
PROJECT:			DRAWING TITLE:						TEXTURE: PER APPROVED SAMPLE
LOCATION:			TRIM TA RADIUSUED BALCONY						DWG: TA_4
ARCHITECT:			SCALE: 1 1/2" = 1'						DATE:
G.C.:			DRAWN BY:						SHEET 1 OF 1
									CUSTOMER APPROVAL: