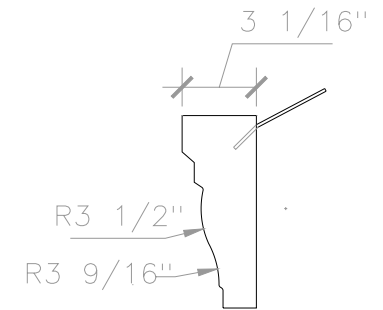
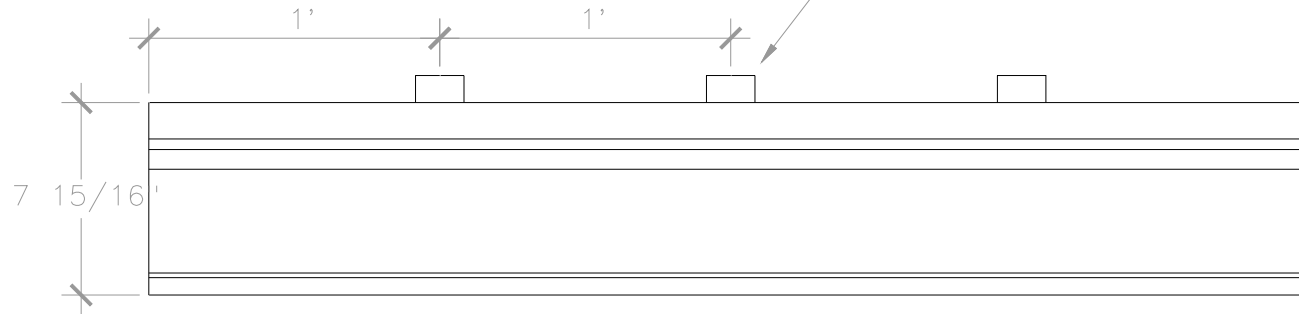



MASONRY STRAP TO BE ATTACHED TO THE EXISTING STRUCTURE



NOTE;SEE TA_T FOR FULL SIZE TEMPLATE

ACTION COMPLETED							REFERENCES		ITEM TAG: TA-CTF
									MATERIAL: WET CAST
CAD	PRODUCTION	MOLD	FINISHED	PACKED	SHIPPED	RECEIVED			TOTAL # OF ITEM:
/	/ /	/ /	/ /	/ /	/ /	/ /	/		PERIMETER:
 Stromberg Architectural Products P.O. Box 8036, I-30 West, Greenville, TX 75404 (903) 454-8682 FAX (903) 454-3642									TOTAL CU. FEET:
							REVISION	DATE	COLOR: PER APPROVED SAMPLE
PROJECT:			DRAWING TITLE:						TEXTURE: PER APPROVED SAMPLE
LOCATION:			TRIM TA CUT TO FIT						DWG: TA_CTF
ARCHITECT:			SCALE: 1 1/2" = 1'						DATE:
G.C.:			DRAWN BY:						SHEET 1 OF 1
									CUSTOMER APPROVAL: