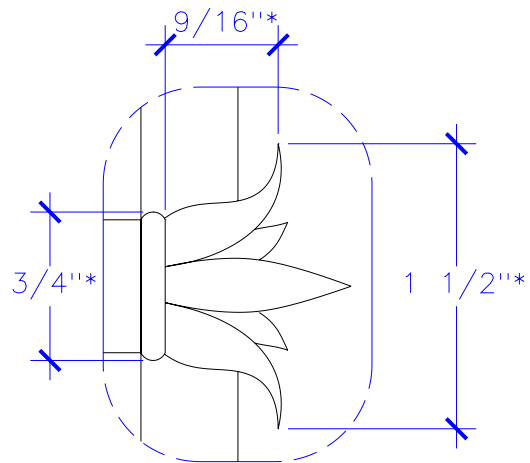
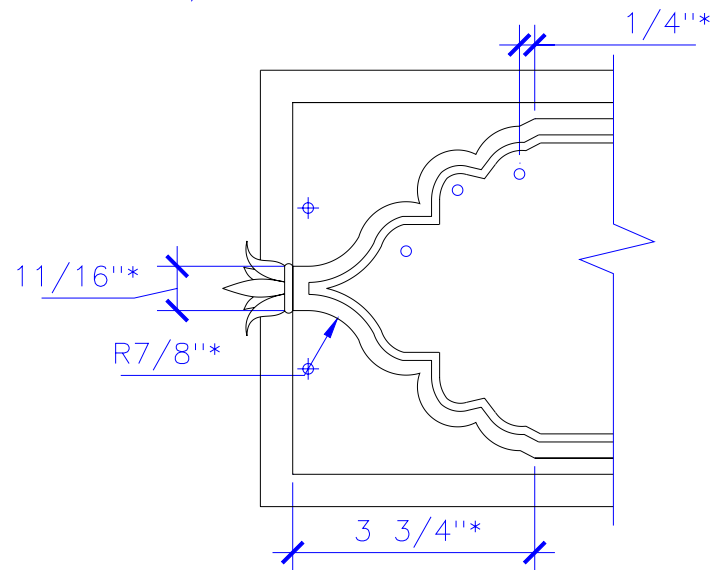


DETAIL A

SCALE: 1 1/2" = 1'



DETAIL A
FULL SCALE



DETAIL B
SCALE: 3" = 1'

PROJECT:

REVISIONS:



Stromberg Architectural Products
P.O. Box 8036, I-30 West, Greenville, TX 75404 (903) 454-8682 FAX (903) 454-3642



DRAWN BY:

SCALE: 1/2" = 1'

ITEM TAG: BH185_B

TYPE DWG: FABRICATION

DATE:

DWG: BH_185_B2

SHEET

2 OF 3