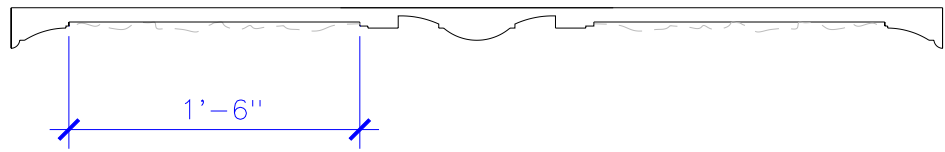
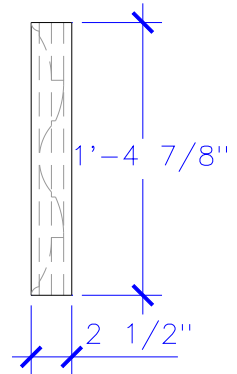
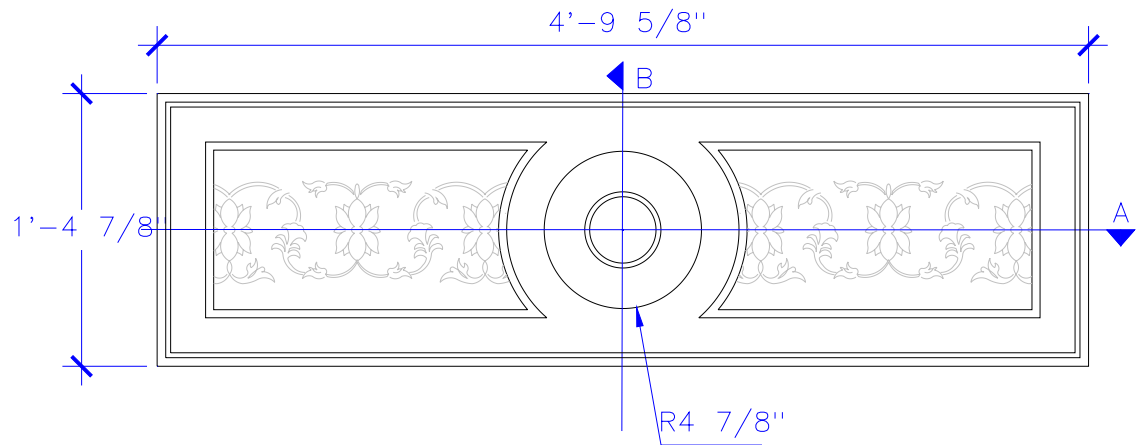



SECTION A
SCALE: 2" = 1'



SECTION A



DWG. APPROVED	MOLD	CAST	SHIPPED	TOTAL WT.	REFERENCES	ITEM TAG: LR-5		
						MATERIAL: GFRG		
PROJECT:	DRAWING TITLE:				REVISIONS	TOTAL # OF ITEM:		
LOCATION:	LIVING ROOM PANEL				DIM. IN HOUSE	TOTAL SQ. FEET:		
CLIENT:	TYPE DWG: FABRICATION					COLOR:		
CUSTOMER APPROVAL:						TEXTURE: SMOOTH		
 Stromberg Architectural Products P.O. Box 8036, I-30 West, Greenville, TX 75404 (903) 454-8682 FAX (903) 454-3642					DRAWN BY:	SHT: A	DATE:	SHEET
					SCALE: 1" = 1'	DWG: LR_5	1	OF 1