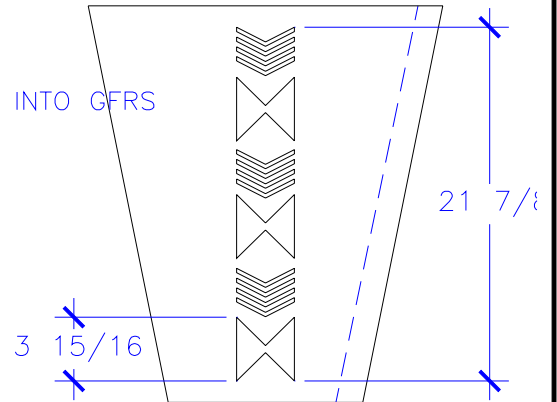



SYMBOLS INSCRIBED INTO GFRS



PROJECT/LOCATION:		DWG. APP'VD:	ITEM TAG: E3P-1
CLIENT:		MOLD:	QTY. REQ'D: 4
CUSTOMER APPROVAL:		CAST:	MATERIAL: GFRS
TITLE:		WEIGHT:	COLOR: PER SAMPLE
DATE/BY:	TOTAL FT:	SHIPPED:	TEXTURE: PER SAMPLE
SCALE: 1" = 1'-0"	TOTAL WT:	 <b>Stromberg Architectural Products</b> 4400 O Neal St, Greenville, TX 75404 (903) 454-8682 FAX (903) 454-3642	
REF: DODGE	LAST REV: ?		
FILE #: PNP.E.3.F.1.R1			