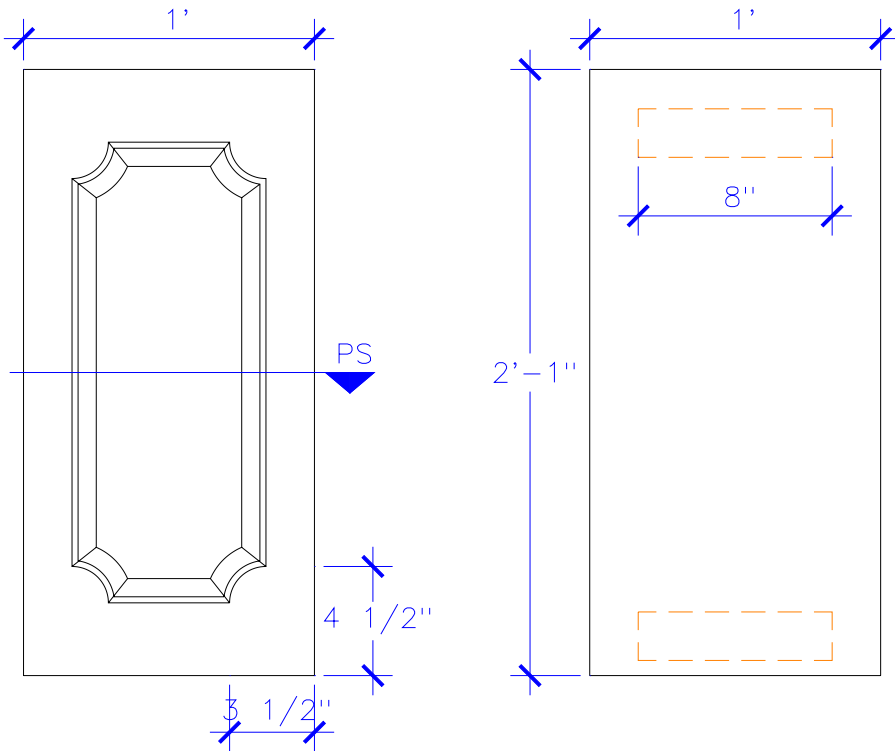


1/2" PLY
EMBED



ASSEMBLE 4 PIERS IN SHOP

ITEM TAG: PH
MATERIAL: GFRP
TOTAL # OF ITEM:
TOTAL SQ. FEET:
COLOR: TO BE PAINTED
TEXTURE: SMOOTH
REVISIONS

REFERENCES:				
DWG. APPROVED	MOLD	CAST	SHIPPED	TOTAL WT.

PROJECT:	DRAWING TITLE:
LOCATION:	PIER HALF
CLIENT:	TYPE DWG: FABRICATION

CUSTOMER APPROVAL:	SCALE: 1 1/2"	DRAWN BY:	SHT: A
--------------------	---------------	-----------	--------


Stromberg Architectural Products
 P.O. Box 8036, I-30 West, Greenville, TX 75404 (903) 454-8682 FAX (903) 454-3642

DWG: PH
DATE: 9/29/03

SHEET PH
