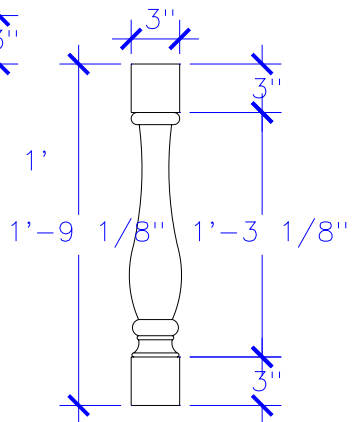
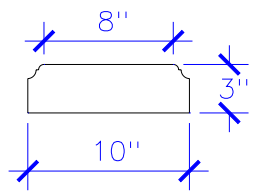


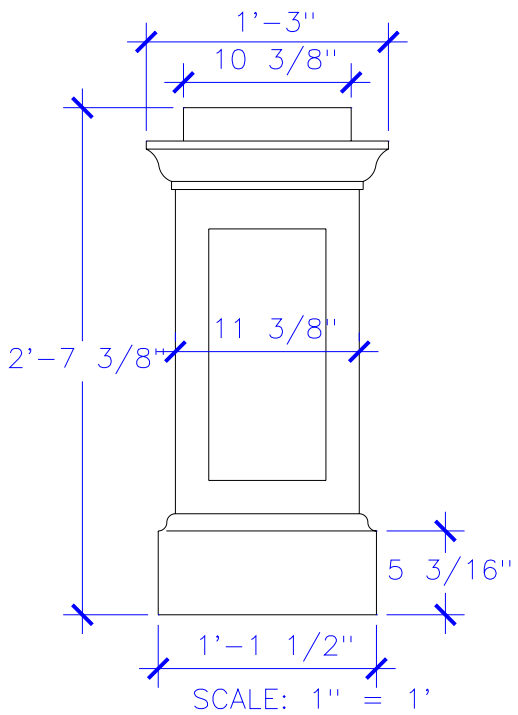
SCALE: 1" = 1'



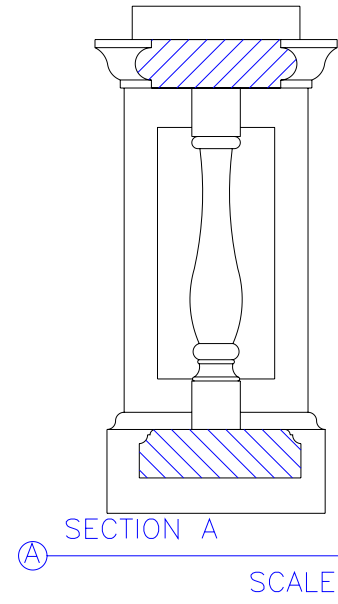
SCALE: 1" = 1'



SCALE: 1" = 1'



SCALE: 1" = 1'



SECTION A
SCALE: 1" = 1'

PROJECT:

REVISIONS:



Stromberg Architectural Products
P.O. Box 8036, I-30 West, Greenville, TX 75404 (903) 454-8682 FAX (903) 454-3642



DRAWN BY:

SCALE: 3/4" = 1'

ITEM TAG: PIER-WORK-1

TYPE DWG: WORK

DATE:

DWG: PIERE_WORK_1

SHEET

1 OF 1