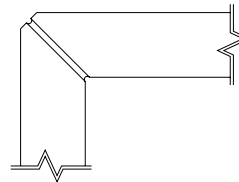
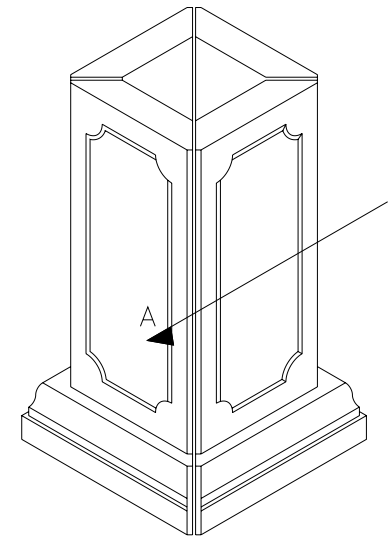
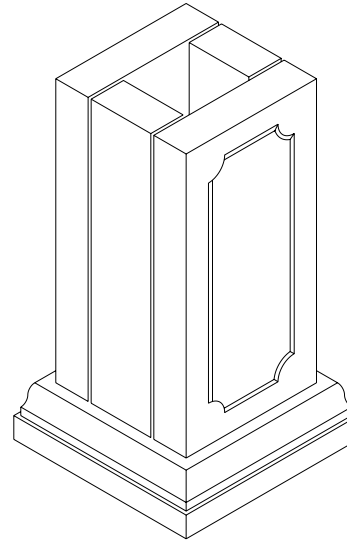
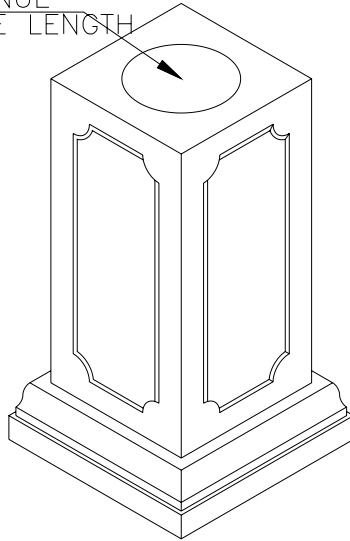


OPTION A
WITH PIER CAP REMOVED FOR CLARITY

OPTION B
WITH PIER CAP REMOVED FOR CLARITY

OPTION C
WITH PIER CAP REMOVED FOR CLARITY

HOLE TO CONTINUE
FOR THE ENTIRE LENGTH



SECTION A
SCALE: 1" = 1'

ITEM TAG: R.F.I - PIER

TYPE DWG: R.F.I.

PROJECT:

REVISIONS:

DATE:

SHEET

DWG: R.F.I._1

1 OF 1



Stromberg Architectural Products
P.O. Box 8036, I-30 West, Greenville, TX 75404 (903) 454-8682 FAX (903) 454-3642



DRAWN BY:

SCALE: 1/2" = 1'