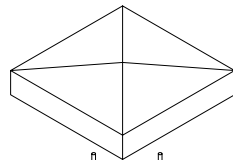


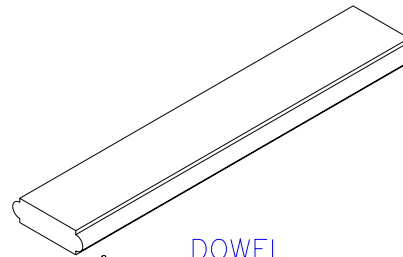
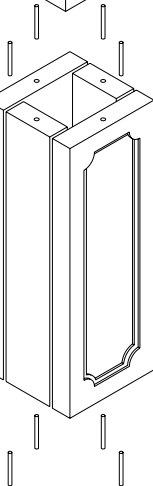
3/8" MORTAR JOINT



DOWELS

3/8" MORTAR JOINT

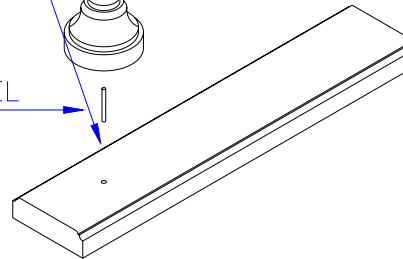
DOWELS



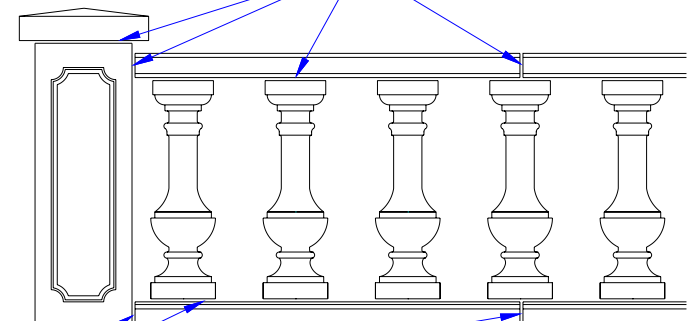
DOWEL

3/8" MORTAR JOINT

DOWEL



3/8" MORTAR JOINT



3/8" MORTAR JOINT

PROJECT: ?

REVISIONS:

TITLE: P-12 PIER ASSEMBLY



Stromberg Architectural Products
 P.O. Box 8036, I-30 West, Greenville, TX 75404 (903) 454-8682 FAX (903) 454-3642

TYPE DWG: ASSEMBLY

DATE: ?

DRAWN BY:

SCALE: 1/2" = 1'

DWG. SHEET: SAP.STK.P12.ASM