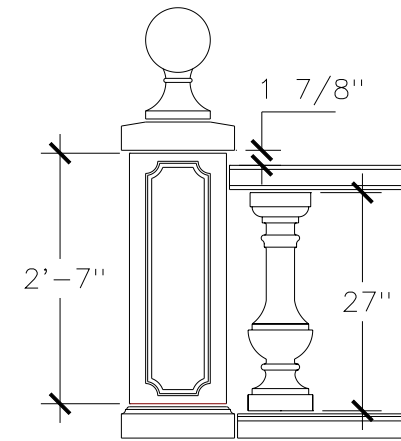
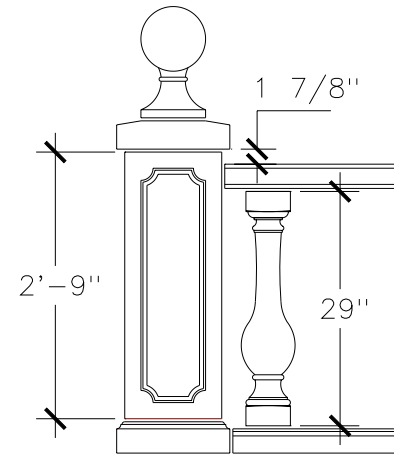
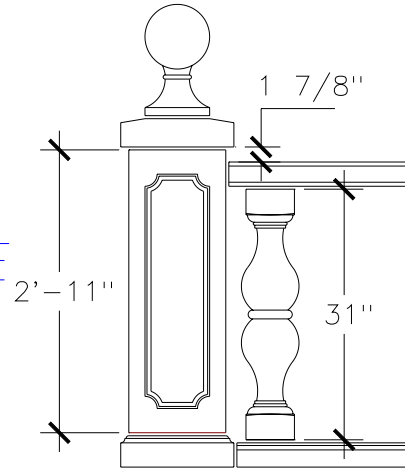
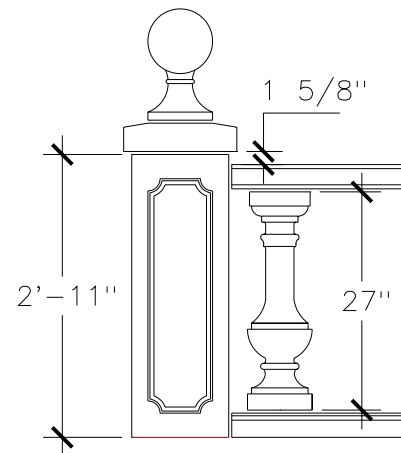
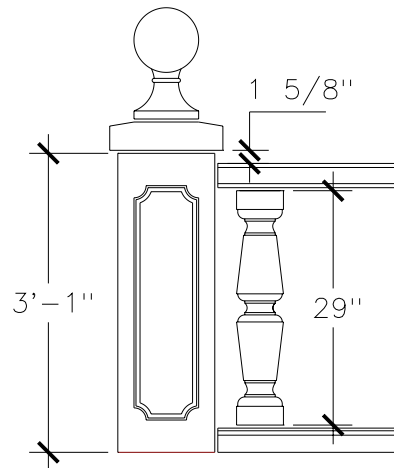


P-12B PIER PANEL  
WITH PB PIER BASE



P-12B PIER PANEL  
WITHOUT PIER BASE



PROJECT: ?

REVISIONS:

TITLE: P-12B PIER SIZE GUIDE



**Stromberg Architectural Products**  
P.O. Box 8036, I-30 West, Greenville, TX 75404 (903) 454-8682 FAX (903) 454-3642

TYPE DWG: INFORMATION

DATE: ?

DRAWN BY:

SCALE: 1/2" = 1'

DWG. SHEET: SAP.STK.P12B.SIZE