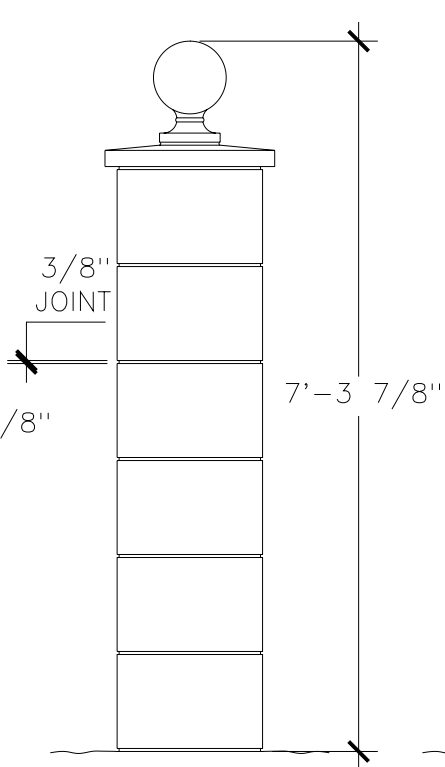
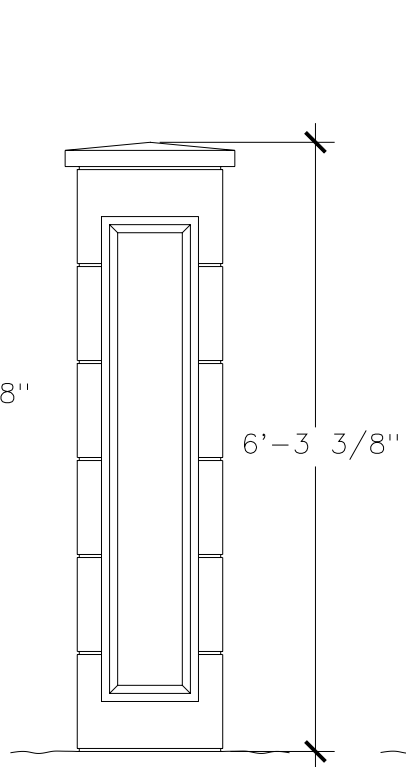


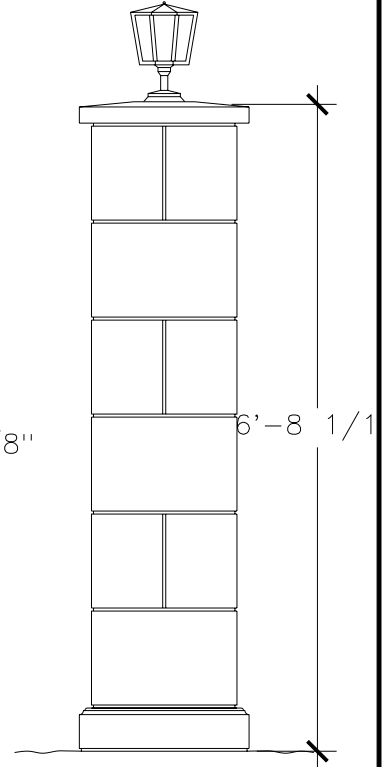
TRADITIONAL FRAME
AND PINEAPPLE
FINIAL



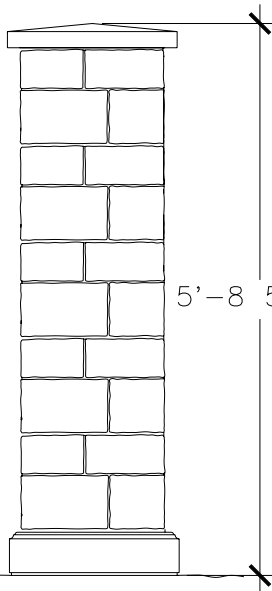
FULL CUT BLOCKS
WITH BALL FINIAL



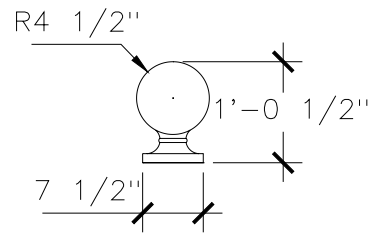
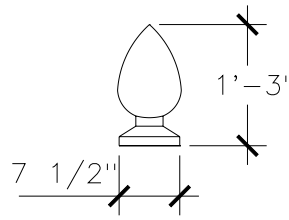
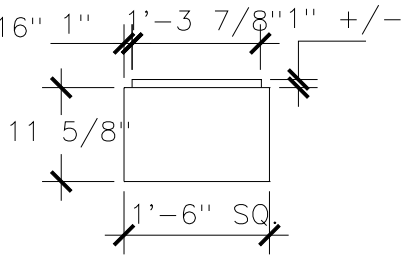
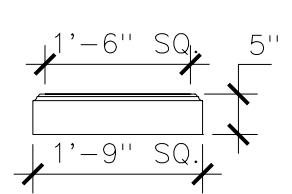
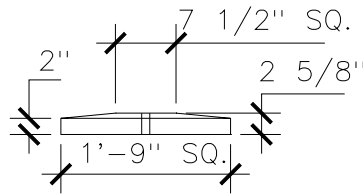
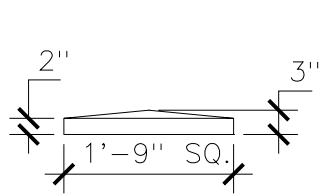
CLASSIC FRAME
AND PEAKED
PIER CAP



HALF CUT BLOCKS
AND LAMP CAP
WITH BASE



RANDOM CUT STONE
WITH BASE



PROJECT: ?

TITLE: STACKING GATE PIER CONFIGURATIONS

REVISIONS:

TYPE DWG: SETTING PLAN

DRAWN BY:



Stromberg Architectural Products
P.O. Box 8036, I-30 West, Greenville, TX 75404 (903) 454-8682 FAX (903) 454-3642

SCALE: 1/2" = 1'

DATE:

DWG. SHEET:

SGP.-.-.S.1.R0