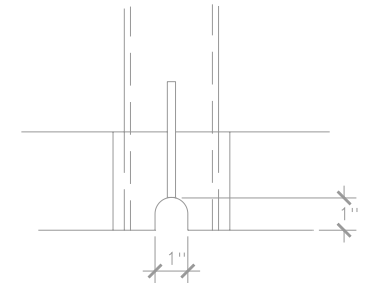
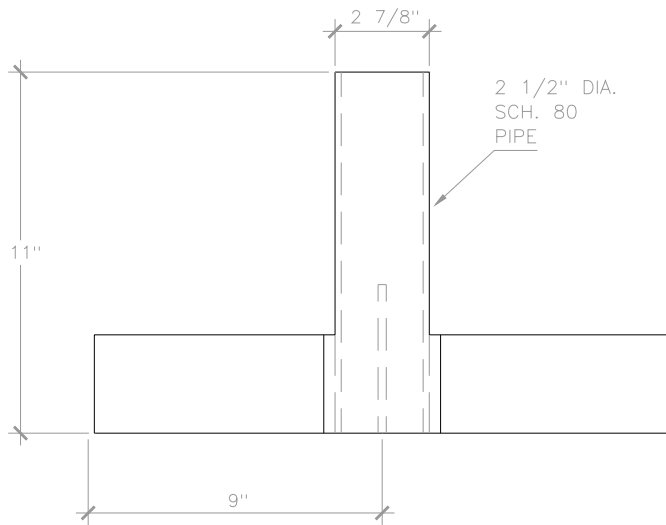


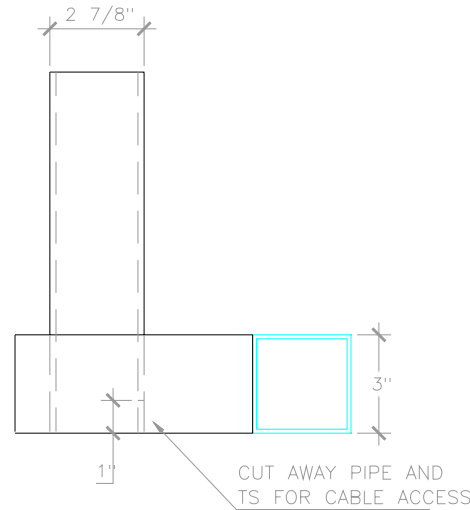
1/4" STEEL PLATE STIFFENER, 1 REQUIRED



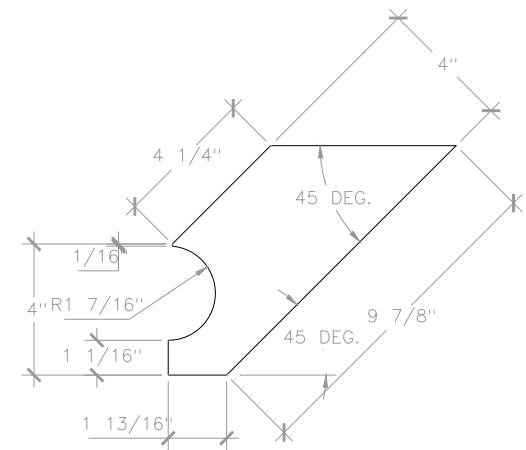
VIEW OF CUTAWAY IN PIPE AND TS.



2 1/2" DIA. SCH. 80 PIPE



CUT AWAY PIPE AND TS FOR CABLE ACCESS



3" TUBE STEEL BRACKET, 2 REQUIRED

LAMP MOUNTING STEEL

PROJECT:	CONTRACT NO:	REVISION	DATE	DWG: LAMP_MTG_STEEL
LOCATION:	DRAWING TITLE:	DIMENSION		DRAWN BY:
ARCHITECT:	LAMP MOUNTING STEEL			DATE:
CUSTOMER APPROVAL:	SCALE: 3" = 1'			APPROVED BY:
				SHEET
				1 OF 1