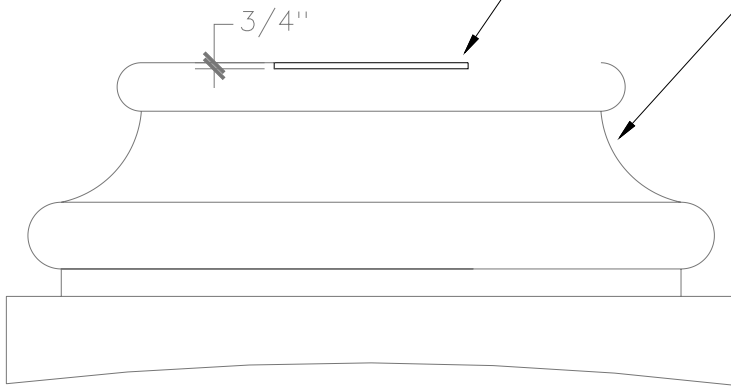


3/4" X 24" X 24" STL WELD PL  
TO MOUNT STATUE, BY G.C.



STATUE BASE AS PROVIDED BY C

DRAWING REFERENCES FOR THIS ITEM

ITEM TAG: E1-STATUE MTG

MATERIAL: GFRP

SHEET:					
VIEWS:					

DWG: E1_STATUE_MTG_1	DRAWN BY:
DATE:	SHEET


**Stromberg Architectural Products**

  
 P.O. Box 8036, I-30 West, Greenville, TX 75404 (903) 454-8682 FAX (903) 454-3642

CHECKED BY:	1 OF 2
APPROVED BY:	

PROJECT:	CONTRACT NO:	REVISION	DATE
LOCATION:	DRAWING TITLE:		
ARCHITECT:	E1 - STATUE MOUNTING		
G.C.:	SCALE: 1/2" = 1'		