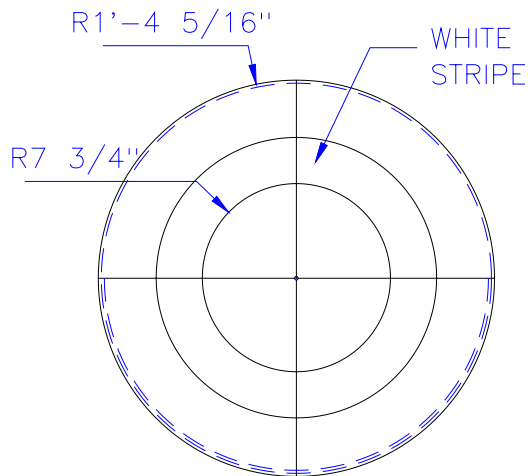
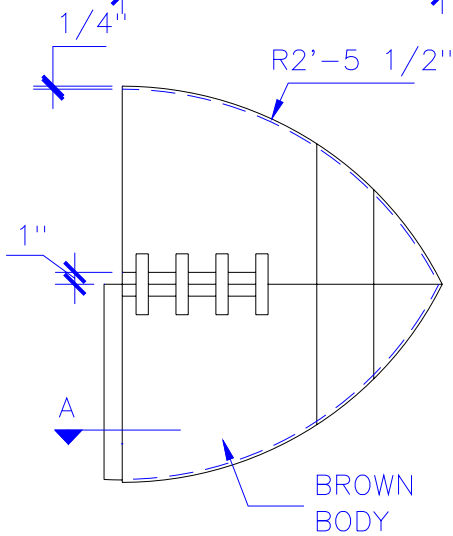


SECTION A

SCALE: 6" = 1'



ITEM TAG: FB-1
MATERIAL: GFRP
TOTAL # OF ITEM:
TOTAL SQ./CU. FEET:
COLOR: AS NOTED
TEXTURE: SMOOTH

REFERENCES:				
DWG. APPROVED	MOLD	CAST	SHIPPED	TOTAL WT.

PROJECT:	DRAWING TITLE: FOOTBALL FRONT SECTION
LOCATION:	
CLIENT:	

REVISIONS	

CUSTOMER APPROVAL:	SCALE: 3/4" =	DRAWN BY:	SHT: A
--------------------	---------------	-----------	--------

Stromberg Architectural Products
 P.O. Box 8036, I-30 West, Greenville, TX 75404 (903) 454-8682 FAX (903) 454-3642

DWG: FB_1	SHEET 1 OF 1
DATE:	