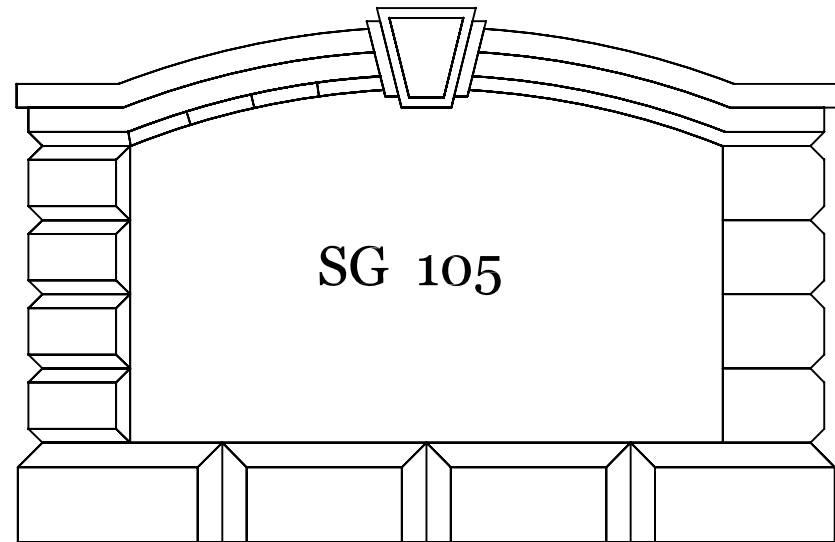




SG 105



SG 105

ALL RIGHTS RESERVED. THIS DRAWING IS PROPERTY OF STROMBERG ARCHITECTURAL PRODUCTS INC. AND MAY BE USED ONLY WHEN UTILIZING STROMBERG ARCH. PRODUCTS.
 STROMBERG GENERAL TERMS AND CONDITIONS APPLY AND ARE INCORPORATED HERE IN BY REFERENCE.
 THIS DETAIL MAY NOT APPLY TO ALL CONDITIONS AND CONSTRUCTION SITUATIONS.

PROJECT: SIGNS	REVISIONS:	TITLE: SG105		
 Stromberg Architectural Products 		TYPE DWG: PICTORIAL	DATE: 8/28/09	DRAWN BY: .
4400 Oneal Street, Greenville, TX 75404 (903) 454-0904 FAX (903) 454-3642		SCALE: N/A	DWG. SHEET: .	