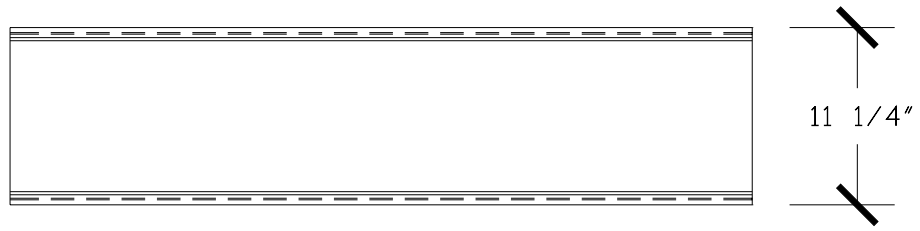
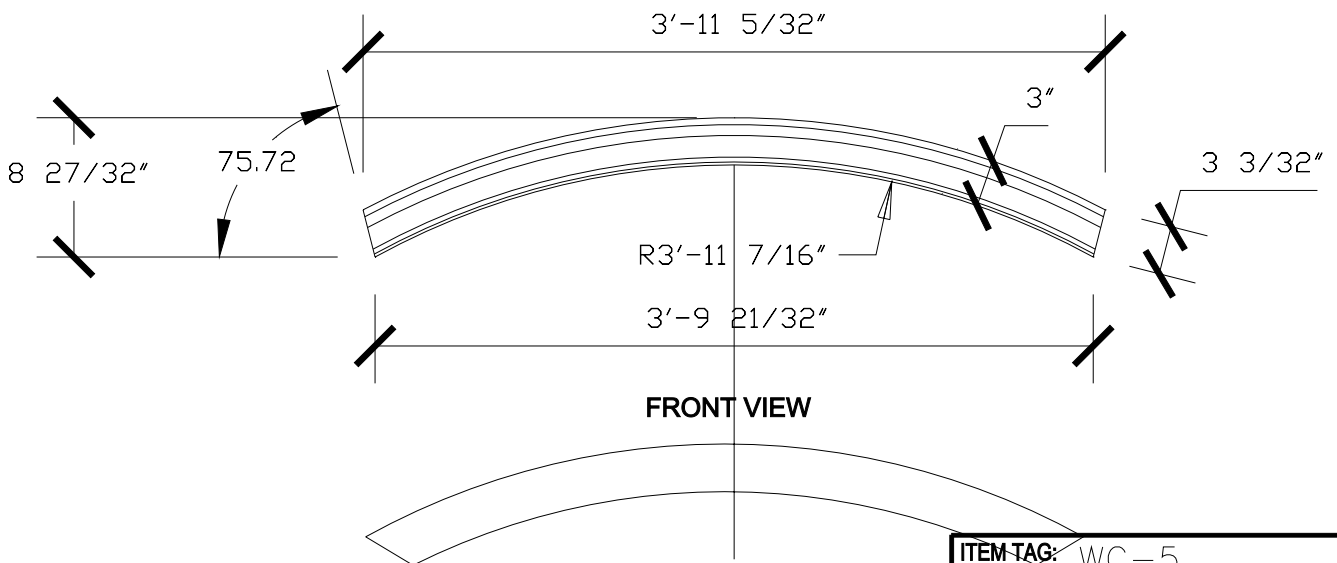


SIDE VIEW



TOP VIEW



FRONT VIEW

NOTE: FIELD CUT AS REQUIRED.

ITEM TAG: WC-5
TOTAL # OF ITEM:
TOTAL LINEAR FEET:
TOTAL CUBIC FEET:

Stromberg's Architectural Products



Cast Stone Columns, Fountains, and Specialties
 P.O. Box 8036, I-30 West, Greenville, TX 75404
 (903) 454-8682 FAX (903) 454-3642



DWN BY:	FILE NO: WC-5
APPROVED:	SHEET
DATE:	9
DWG # WC-5	OF 9

PROJECT:	DRAWING TITLE:	REVISION	DATE:
LOCATION:	WALL CAP		
ARCHITECT:	SCALE: 1" = 1'		
G.C.:			