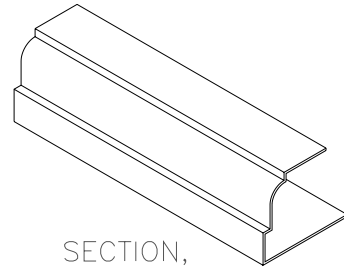
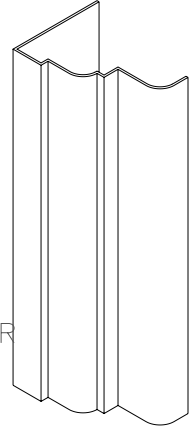


SECTION,
LEFT CENTER

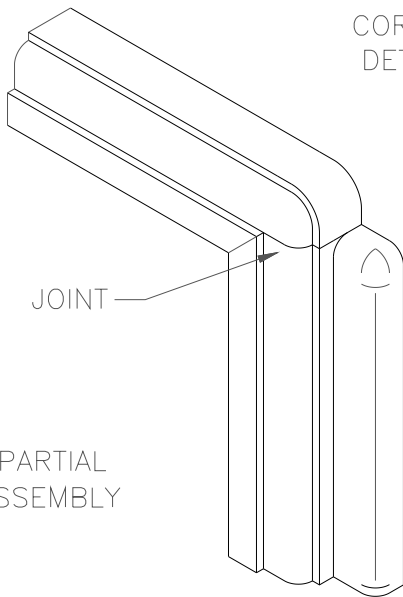
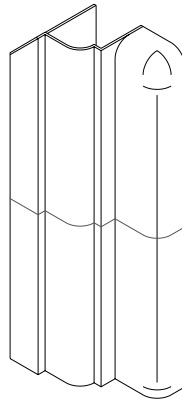


SECTION,
TOP CENTER



SECTION,
RIGHT CENTER

CORNER
DETAIL



JOINT

PARTIAL
ASSEMBLY

ITEM TAG:	15
MATERIAL:	N/A
TOTAL # OF ITEM:	N/A
PERIMETER SECTION	N/A
TOTAL LINEAR FEET:	N/A
TOTAL SQ. FEET:	N/A
COLOR:	CHROME
TEXTURE:	SMOOTH

DRAWING REFERENCES FOR THIS ITEM

SHEET:						
VIEWS:						

ACTION COMPLETED

CAD	PRODUCTION	MOLD	FINISHED	PACKED	SHIPPED	RECEIVED
/ /	/ /	/ /	/ /	/ /	/ /	/ /

DWG:	15_3	DRAWN BY:	
DATE:		SHEET	
CHECKED BY:		3 OF 3	
APPROVED BY:			



Stromberg Architectural Products
 P.O. Box 8036, I-30 West, Greenville, TX 75404 (903) 454-8682 FAX (903) 454-3642



PROJECT:	CONTRACT NO:	N/A	REVISION	DATE
LOCATION:	DRAWING TITLE:	DOOR SURROUND, PICTORIAL		
DESIGNER:	SCALE:	1/2" = 1'		
G.C.:				