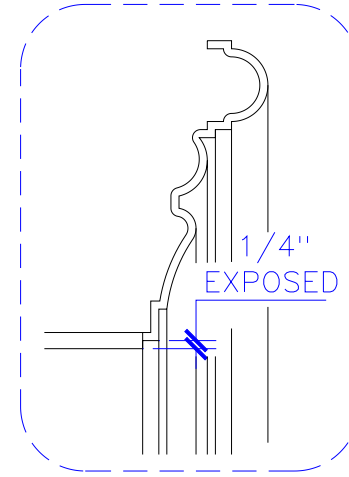
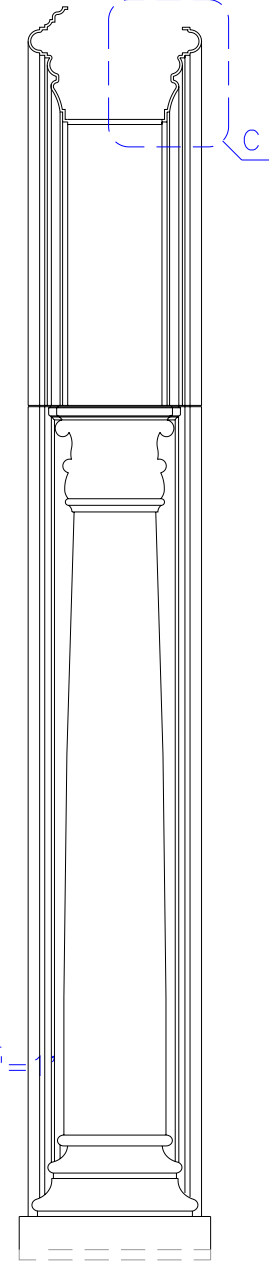


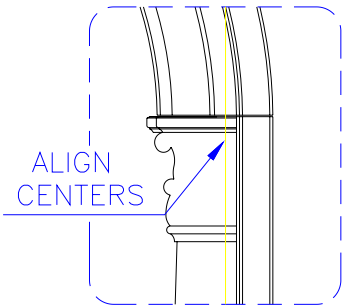
REAR VIEW
SCALE 3/8" = 1'



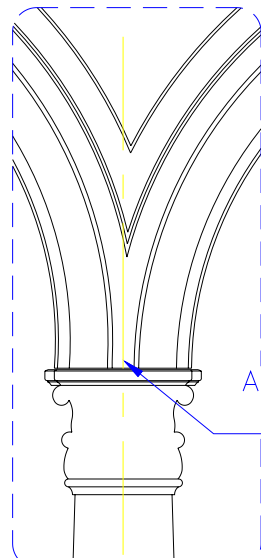
DETAIL C
SCALE: 2" = 1'



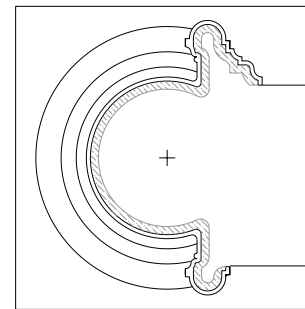
SECTION A
SCALE 5/8" = 1'



DETAIL A
SCALE 3/4" = 1'



DETAIL B
SCALE 3/4" = 1'



SECTION B
SCALE 1" = 1'

PROJECT:

REVISIONS:

ITEM TAG: BH128_SP

TYPE DWG: SETTING PLAN



Stromberg Architectural Products
P.O. Box 8036, I-30 West, Greenville, TX 75404 (903) 454-8682 FAX (903) 454-3642



DRAWN BY:

SCALE: AS NOTED

DATE:

DWG: BH128_SP2

SHEET

2 OF 2