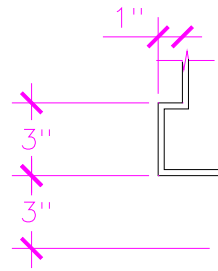
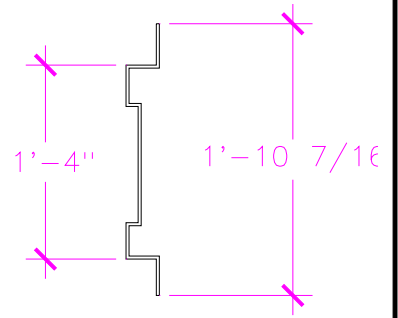
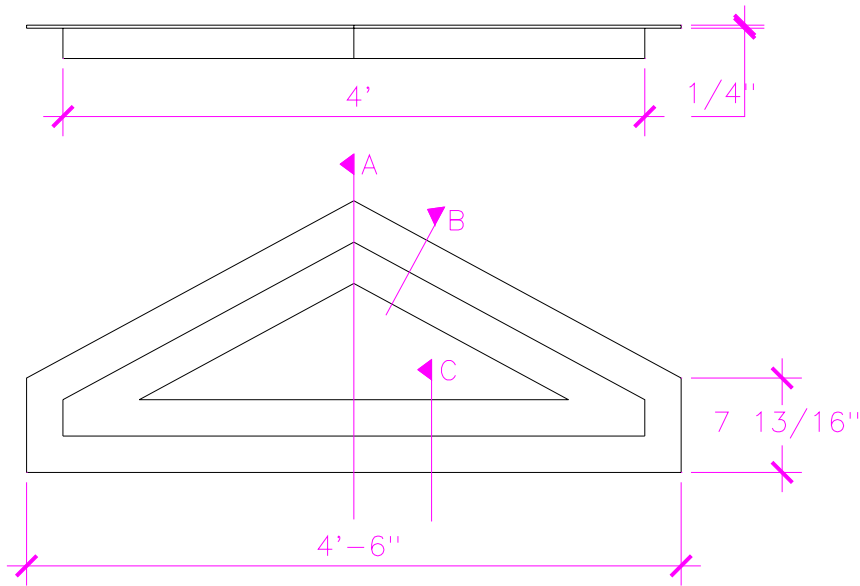


SECTION B  
SCALE; 1 1/2" = 1"



SECTION C  
SCALE; 1 1/2" = 1"



SECTION A  
SCALE: 3/4" = 1'

ITEM TAG: P1

MATERIAL: GFRP

TOTAL # OF ITEM:

TOTAL SQ./CU. FEET:

COLOR: PER APPROVED SAMPLE

TEXTURE: SMOOTH

REVISIONS

REFERENCES:

DWG. APPROVED	MOLD	CAST	SHIPPED	TOTAL WT.

PROJECT:  
LOCATION:  
CLIENT:

DRAWING TITLE:  
PEDIMENT  
A1 WINDOW

CUSTOMER APPROVAL: SCALE: 3/4" = DRAWN BY: SHT: A