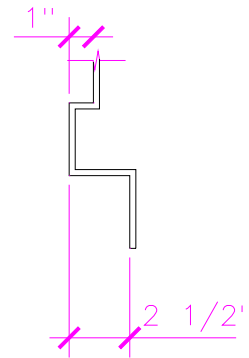
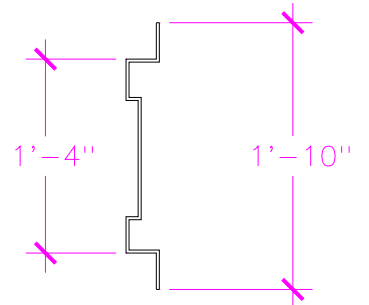
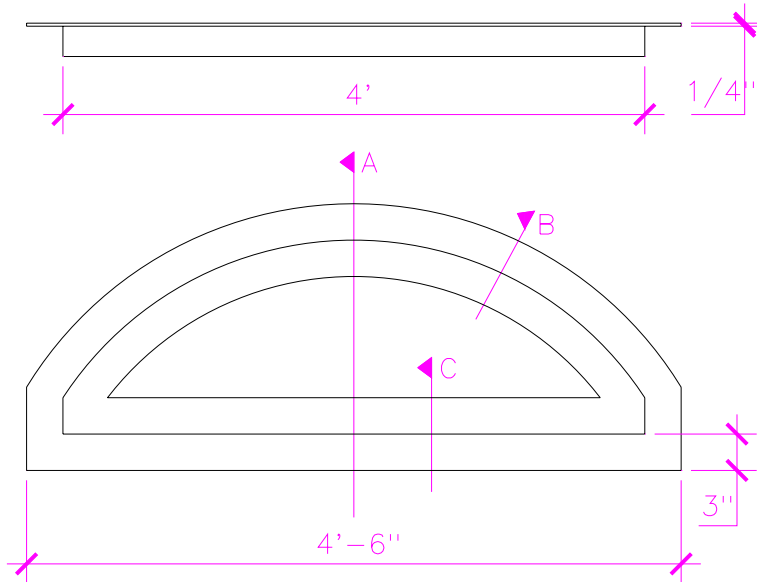




SECTION B
SCALE; 1 1/2" = 1"



SECTION C
SCALE; 1 1/2" = 1"



SECTION A
SCALE: 3/4" = 1'

REFERENCES:					ITEM TAG: P2
DWG. APPROVED					MATERIAL: GFRP
MOLD					TOTAL # OF ITEM:
CAST					TOTAL SQ./CU. FEET:
SHIPPED					COLOR: PER APPROVED SAMPLE
TOTAL WT.					TEXTURE: SMOOTH
PROJECT:			DRAWING TITLE:		REVISIONS
LOCATION:			PEDIMENT H WINDOW		
CLIENT:					
CUSTOMER APPROVAL:			SCALE: 3/4" =	DRAWN BY:	SHT: A
 Stromberg Architectural Products P.O. Box 8036, I-30 West, Greenville, TX 75404 (903) 454-8682 FAX (903) 454-3642				DWG: P2	SHEET 1 OF 1
				DATE:	