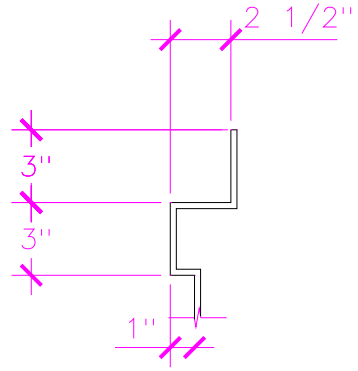
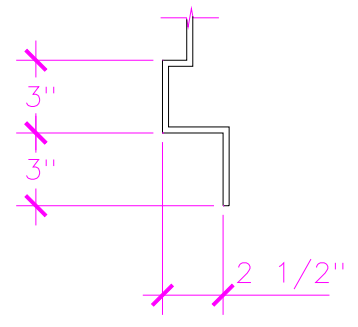


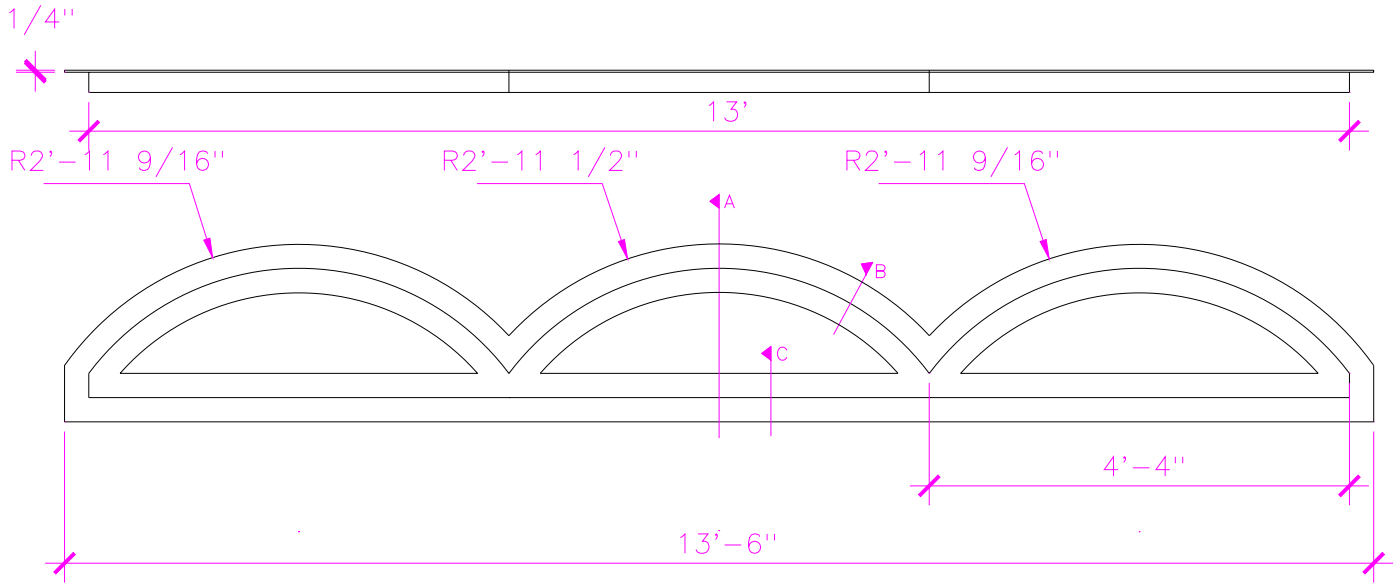
SECTION A
SCALE: 3/4" = 1'



SECTION B
SCALE: 1 1/2" = 1"



SECTION C
SCALE: 1 1/2" = 1"



ITEM TAG: P5
MATERIAL: GFRP
TOTAL # OF ITEM:
TOTAL SQ./CU. FEET:
COLOR: PER APPROVED SAMPLE
TEXTURE: SMOOTH

REFERENCES:				
DWG. APPROVED	MOLD	CAST	SHIPPED	TOTAL WT.

PROJECT:	DRAWING TITLE: PEDIMENT Q WINDOW
LOCATION:	
CLIENT:	

CUSTOMER APPROVAL:	SCALE: 1/2" =	DRAWN BY:	SHT: A
--------------------	---------------	-----------	--------

REVISIONS	