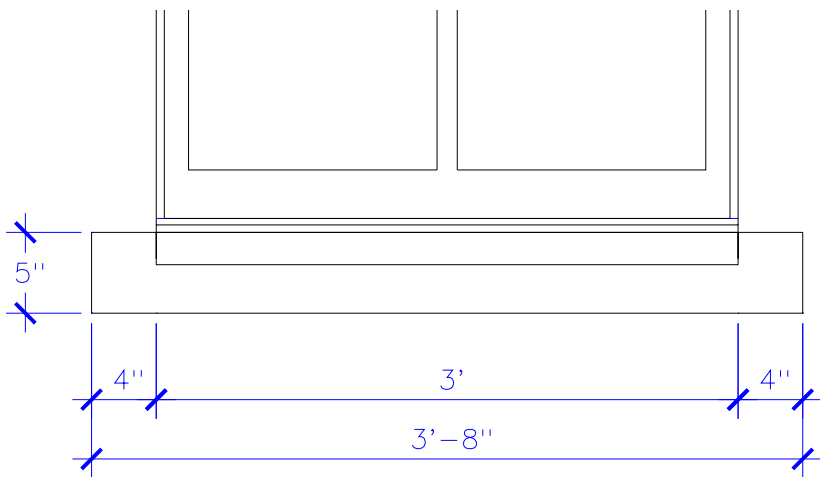
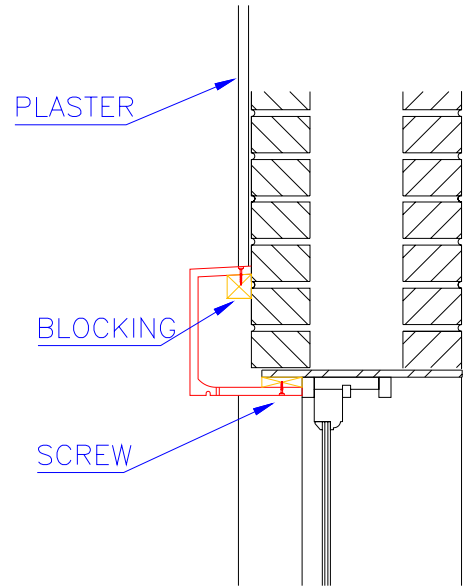
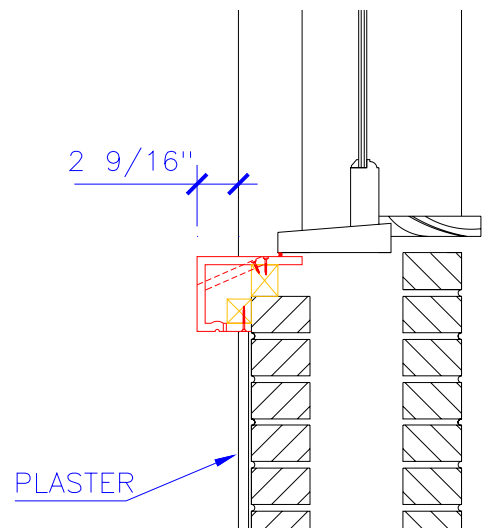


GFRc HEADER



GFRc SILL



ITEM TAG: SILL & HEADER

PROJECT:

SCALE: 1" = 1'

DRAWN BY:

REVISIONS:

TYPE DWG: PRE-CONTRACT

SHEET



Stromberg Architectural Products
 P.O. Box 8036, I-30 West, Greenville, TX 75404 (903) 454-8682 FAX (903) 454-3642



DWG: SAP_CS_3

DATE:

3 OF 3