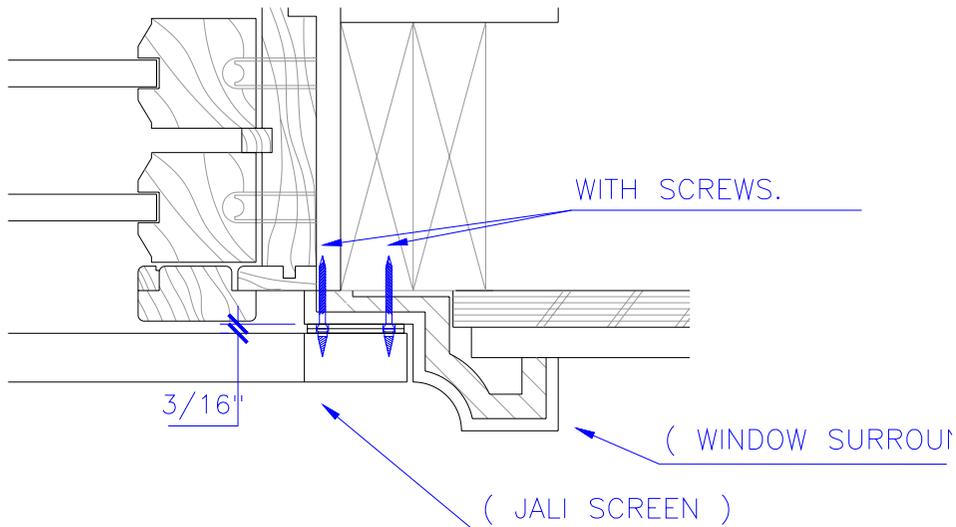
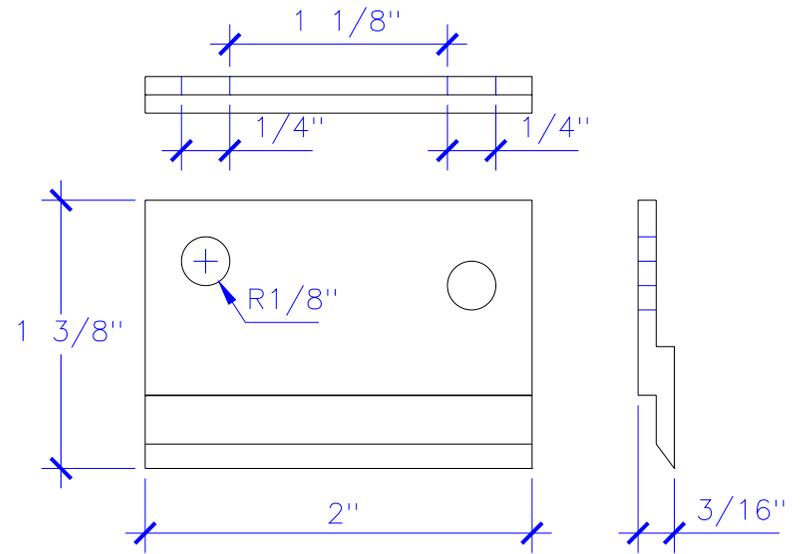


(A) DETAIL A
SCALE: 3" = 1'

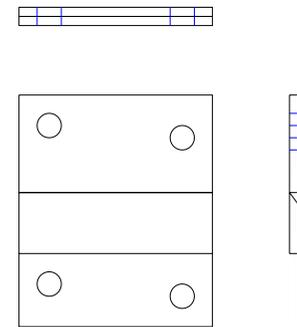
(*) INDICATES DIMENSIONS THAT WILL CHANGE ON BH-140 IF THIS MOUNTING IS APPROVED.



(B) DETAIL B
SCALE: 3" = 1'



(C) DETAIL C
SCALE: 1" = 1" (FULL SCALE)



(D) DETAIL D
SCALE: 6" = 1' (HALF SCALE)

ITEM TAG: NEW-BH138-MTG

TYPE DWG: ERECTION

DATE:

DWG: NEW_BH138_MTG_2

SHEET

2 OF 2

PROJECT:

REVISIONS:



Stromberg Architectural Products
P.O. Box 8036, I-30 West, Greenville, TX 75404 (903) 454-8682 FAX (903) 454-3642



DRAWN BY:

SCALE: N.T.S